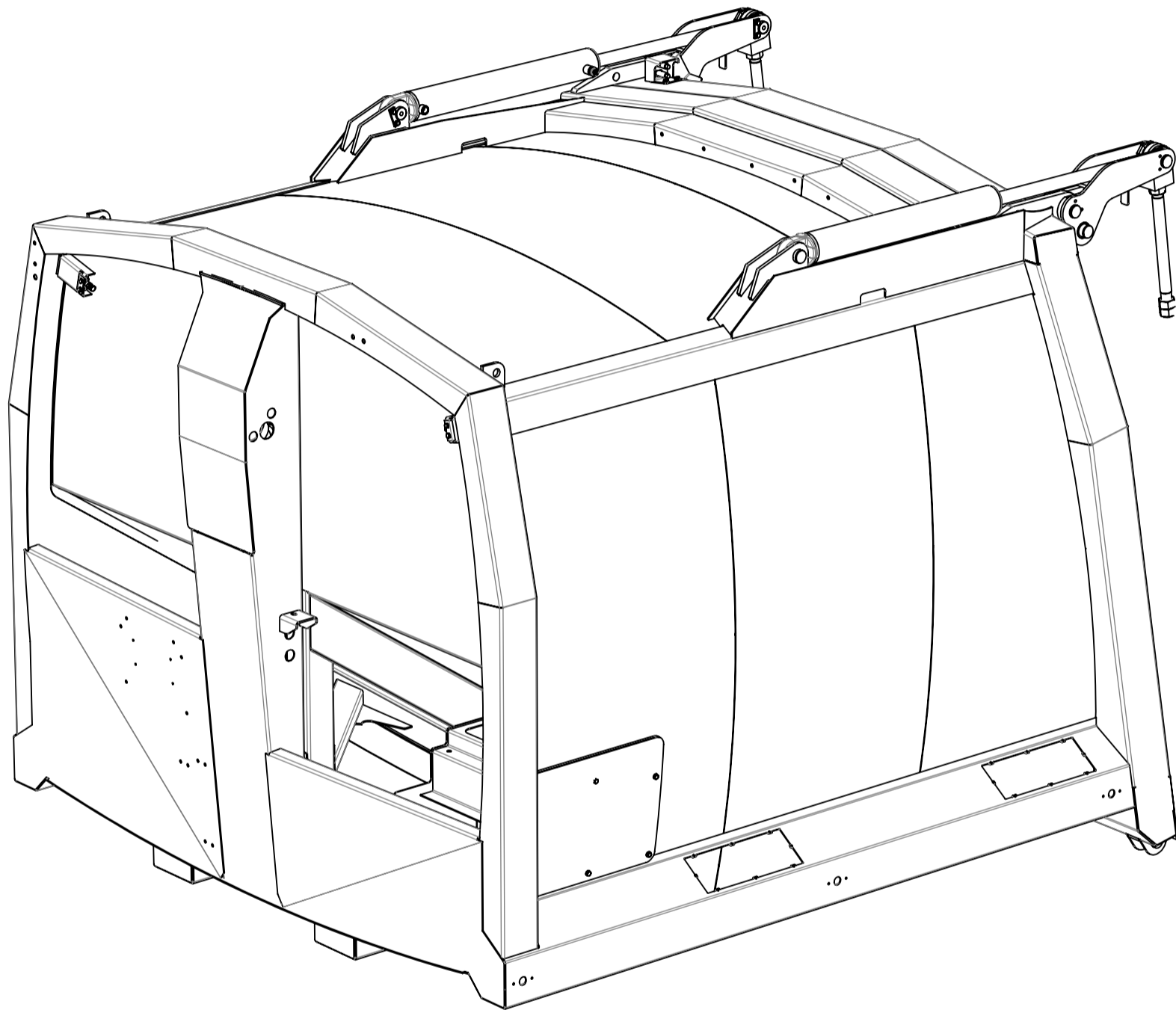


Index MD Spare Parts

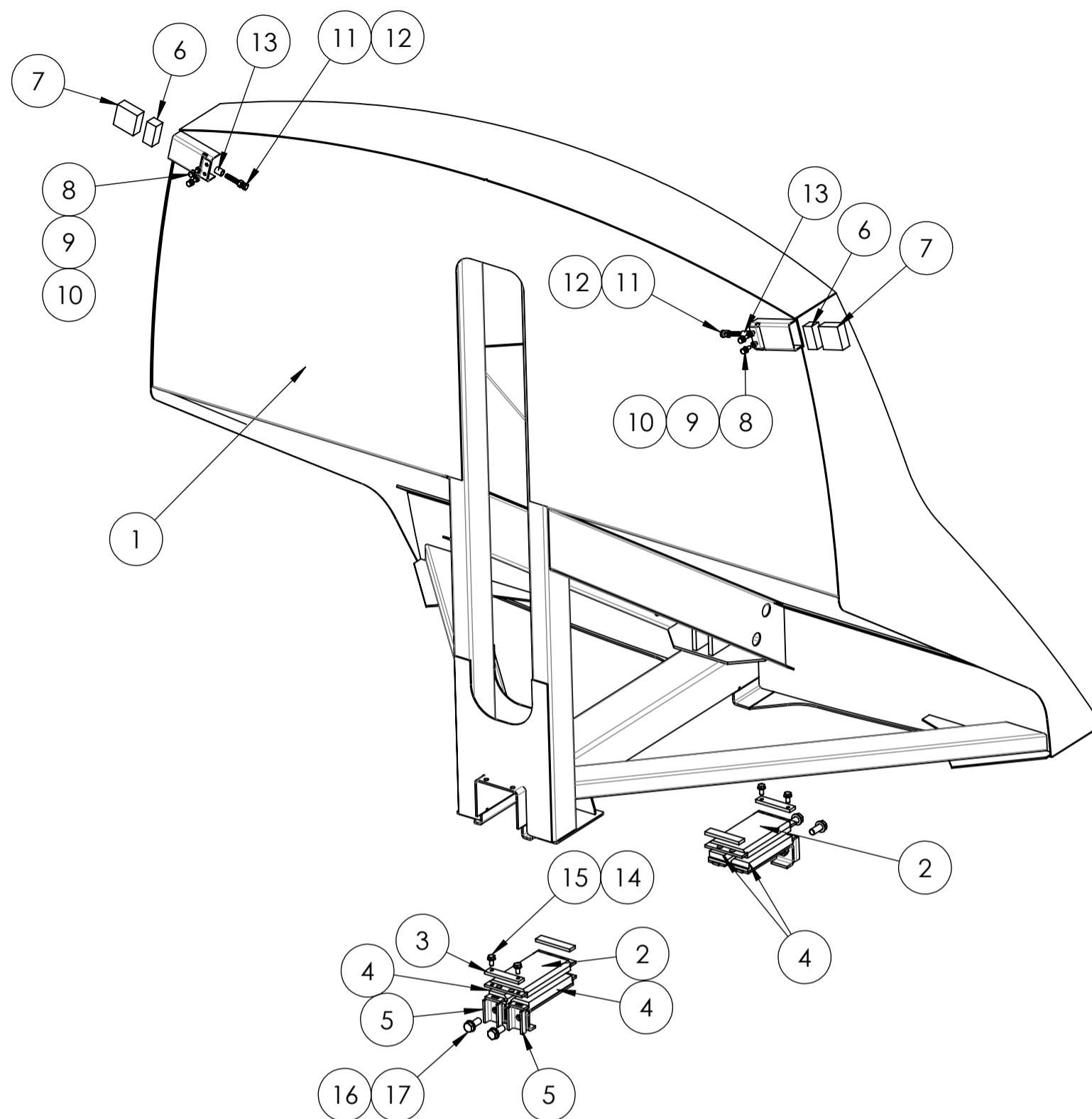
Page 1.	Index
Page 2-7.	Behållare - Body
Page 8-12.	Baklucka - Tailgate
Page 13-16.	Press & transportplatta - Press & Transport plate
Page 17-24.	Kärlyft - Bin lift
Page 25-27.	Vagga - Cradle
Page 28-29.	Kärlfångare, locköppnare - Bin catcher, lid opener
Page 30-31.	Kärlfångare, mekanisk - Bin catcher, mechanical
Page 32-33.	Kärlfångare - Bin catcher
Page 34-37.	Hydraultank - Hydraulic tank
Page 38-39.	Inspektionsslucka - Inspection cover

Note! The images are for reference only.
Components marked with * contact
spare part branch.

MD behållare Toppsammanställning MD Body Top assembly

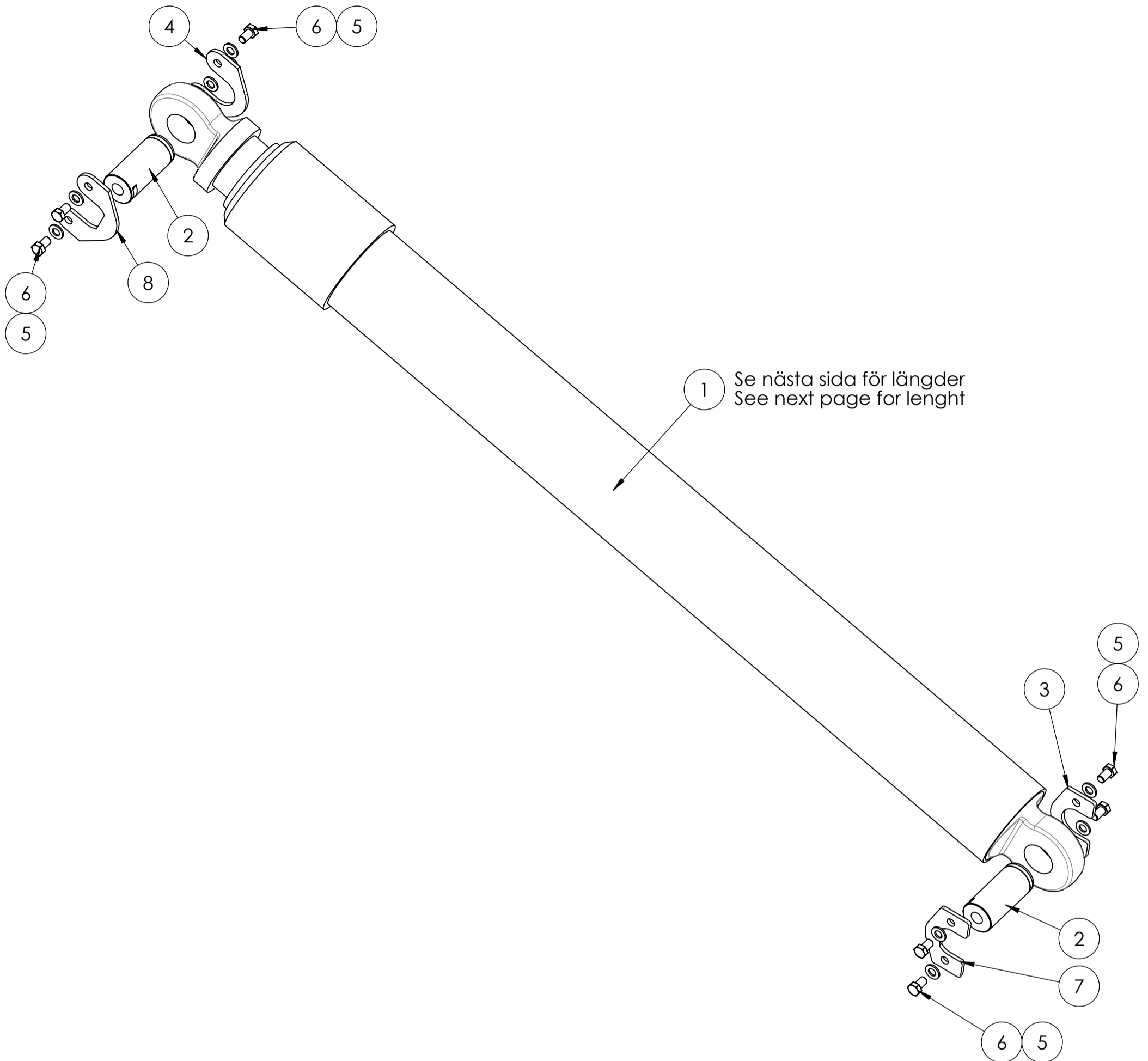


Note! The images are for reference only.
Components marked with * contact
spare part branch.



17	Skruv	Screw	1506711	
16	Bricka	Washer	1504903	
15	Skruv	Screw	1507496	
14	Bricka	Washer	1504900	
13	Rör	Pipe	1507366	
12	Mutter	Nut	1504836	
11	Skruv	Screw	1505538	
10	Låsmutter	Locking nut	1505255	
9	Bricka	Washer	1504899	
8	Skruv	Screw	1504922	
7	Sido glidkloss	Flank Slide block	504758	
6	Gummi	Rubber	504756	
5	Låsplatta	Locking plate	504663	
4	Undre glidkloss	Lower Slide block	504659	
3	Plåt	Plate	504654	
2	Övre glidkloss	Upper Slide block	504650	
1	Urlastningsplatta	Unloading plate	1505466	3
ITEM NO.	Benämning	Title	Part no	YAP.Rev

Note! The images are for reference only. Components marked with * contact spare part branch.



Note! The images are for reference only. Components marked with * contact spare part branch.

8	Låsplåt	Locking plate	503326	
7	Nedre högra låsplåt	Lower right locking plate	504686	
6	Skruv	Screw	1507497	
5	Bricka	Washer	1504901	
4	Låsplåt	Locking plate	503327	
3	Nedre vänstra låsplåt	Lower left locking plate	504687	
2	Bult	Bolt	504781	
1	Urlastningscylinder	Unloading cylinder	-	
ITEM NO.	Benämning	Title	Part no	YAP.Rev

Urlastningscylinder-Unloading cylinder

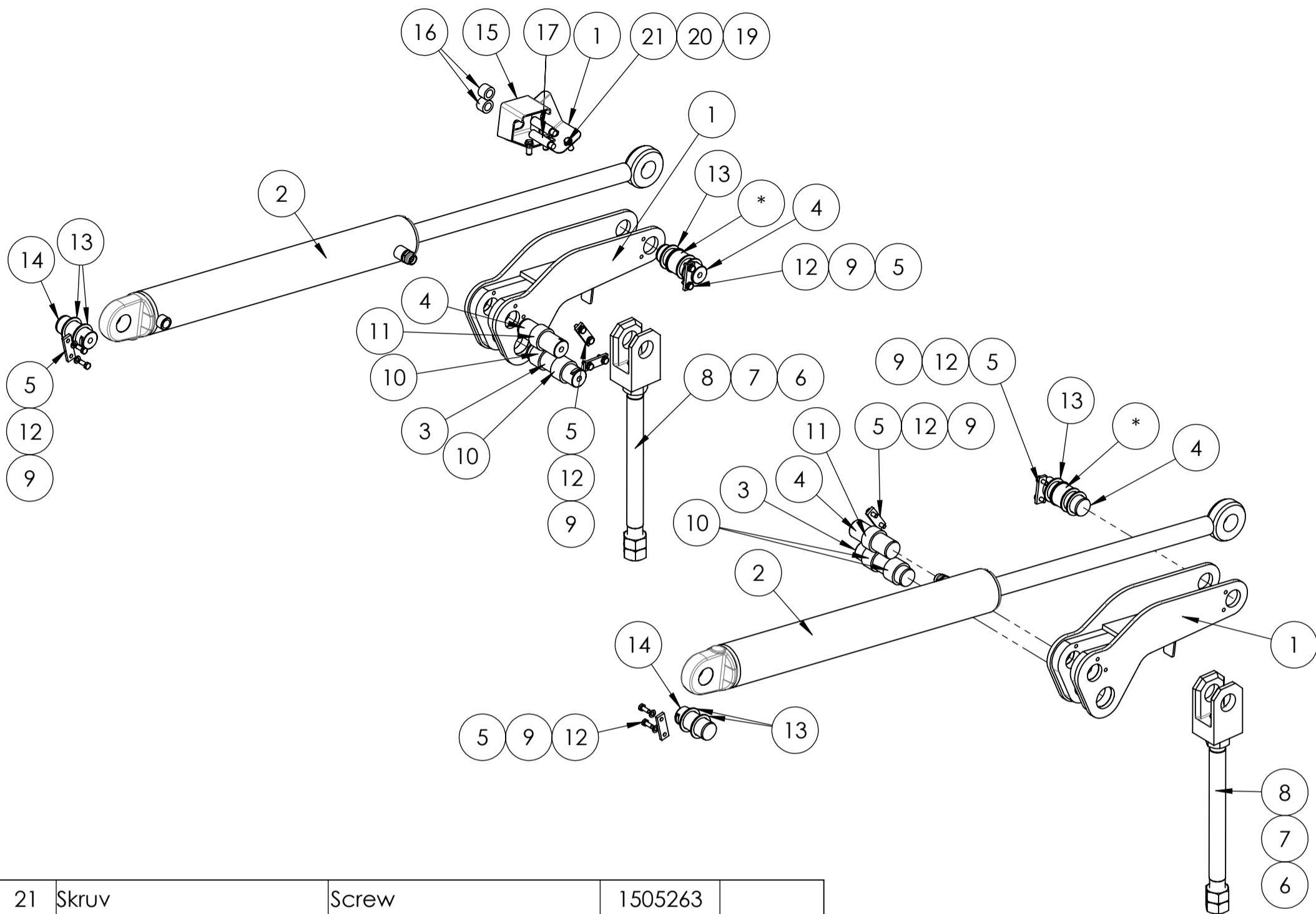
1515040 MD behållare Toppsammanställning-
2013-12-09 MD Body Top assembly

Rev. 1 Date: 2014-03-27

**Behållarspecifika cylindernummer
Bodyspecific cylinder part numbers**

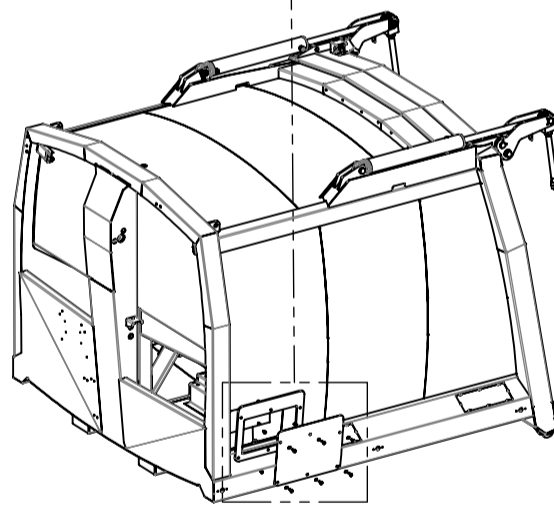
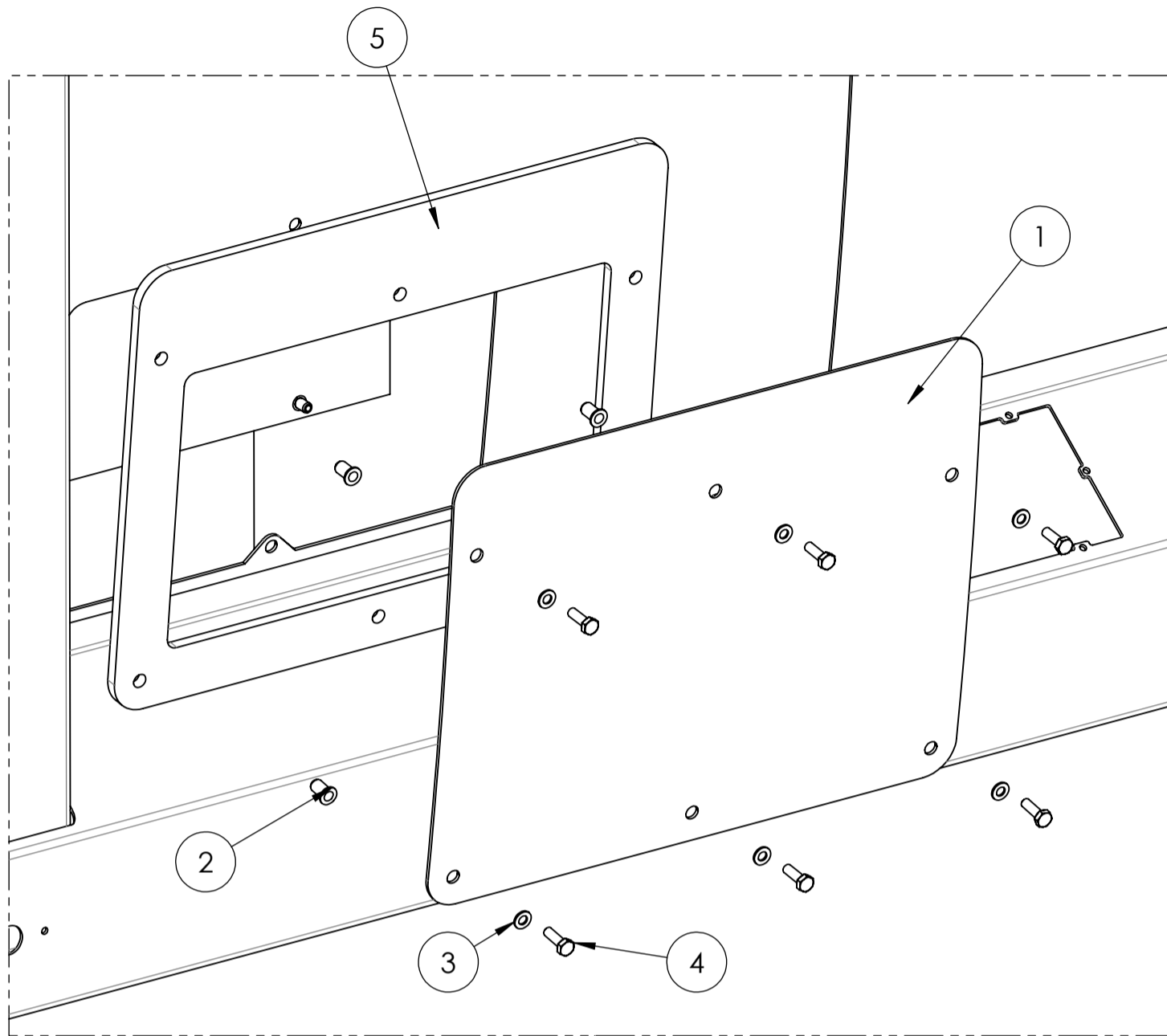
L=2700	-	1515078
L=3000	-	1525823
L=3200	-	1511352
L=3400	-	1507594
L=3500	-	1511904
L=3600	-	1508194
L=3700	-	1515521
L=3800	-	1505207
L=3900	-	1508278
L=4000	-	504693
L=4100	-	1509061
L=4200	-	1500302
L=4400	-	1508013
L=4500	-	1507188
L=4600	-	1507000
L=4700	-	1507558
L=4800	-	1505518
L=4900	-	1514072
L=5000	-	1505994
L=5100	-	1517557
L=5200	-	1505523
L=5300	-	1510146
L=5400	-	1515223

Note! The images are for reference only.
Components marked with * contact
spare part branch.



21	Skruv	Screw	1505263	
20	Bricka	Washer	1504899	
19	Blindnitmutter	Rivet nut	1504886	
18	Plåt givare	Plate Sensor	1525156	2
17	Induktiv givare	Inductive sensor	1511077	
16	Slitplast givare	Hard plastic Sensor	1521340	
15	Givarfäste	Sensor bracket	1509906	2
14	Bult	Bolt	504568	
13	Bricka	Washer	1506617	
12	Skruv	Screw	1505263	
11	Bussning	Bushing	1512299	
10	Bussning	Bushing	1505505	
9	Bricka	Washer	1504899	
8	Länkstång	Link rod	1505572	2
7	Länkhuvud	Link head	502038	
6	Mutter	Nut	1505583	
5	Låsplatta	Locking plate	504337	2
4	Bult	Bolt	504340	3
3	Bult	Bolt	504345	3
2	Hydraulcylinder	Hydraulic cylinder	1523481	3
1	Arm		1505544	5
ITEM NO.	Benämning	Title	Part no	YAP.Rev

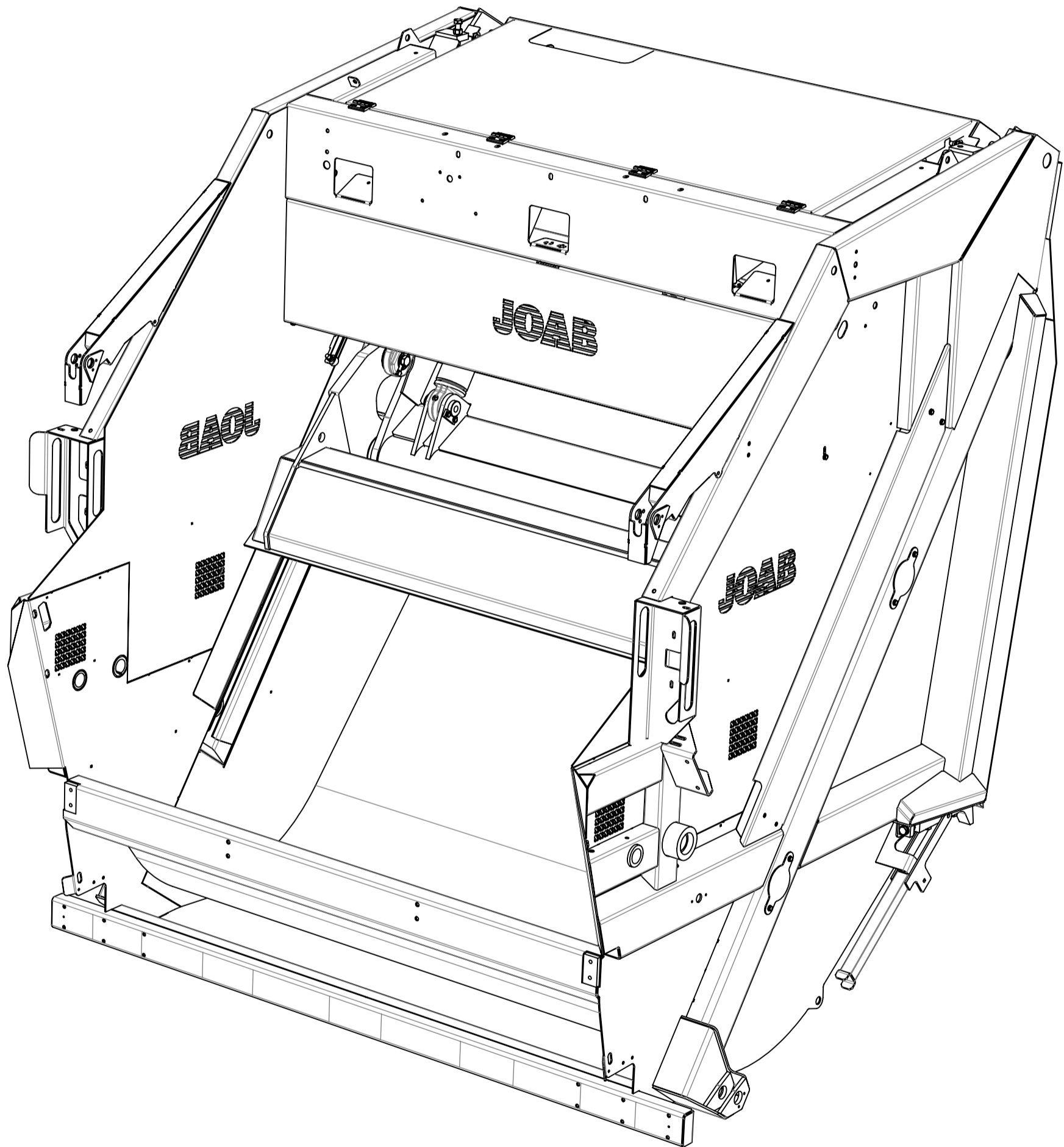
Note! The images are for reference only. Components marked with * contact spare part branch.



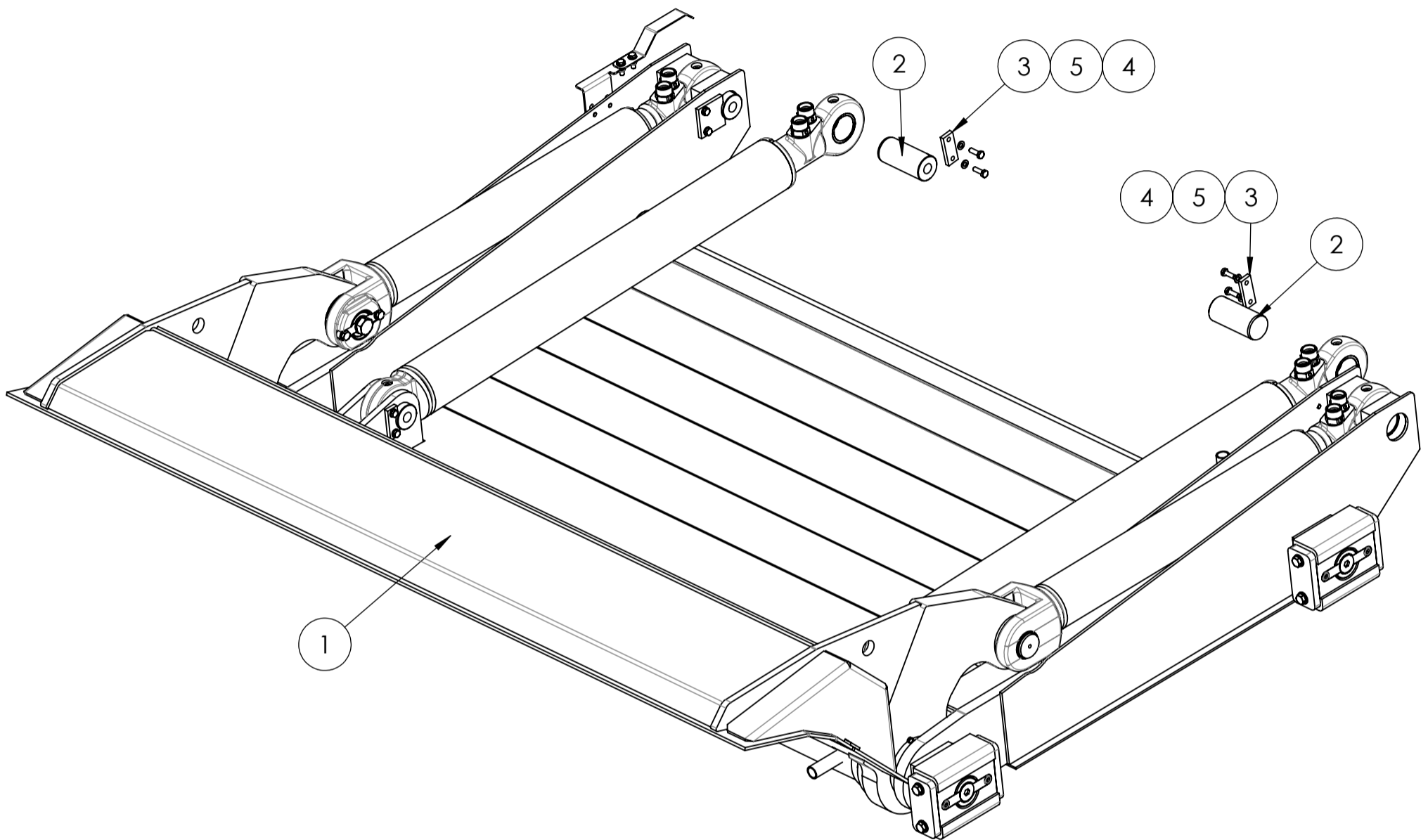
5	Packning	Gasket	1524963	5
4	Skruv	Screw	1504922	
3	Bricka	Washer	1504899	
2	Blindnitmutter	Rivet nut	1504886	
1	Täcklock	Cover plate	1504867	3
ITEM NO.	Benämning	Title	Part no	YAP.Rev

Note! The images are for reference only. Components marked with * contact spare part branch.

MD baklucka mekanisk kärffångare MD Tailgate mechanical bin catcher



Note! The images are for reference only.
Components marked with * contact
spare part branch.



5	Skruv	Screw	1504922	
4	Bricka	Washer	1504899	
3	Låsplatta	Locking plate	504332	2
2	Bult	Bolt	1521140	
1	Press och transportplatta MD	Press and Transport plate MD	1521219	8
ITEM NO.	Benämning	Title	Part no	YAP.Rev

Note! The images are for reference only. Components marked with * contact spare part branch.

Press och transportplatta-Press and transport plate

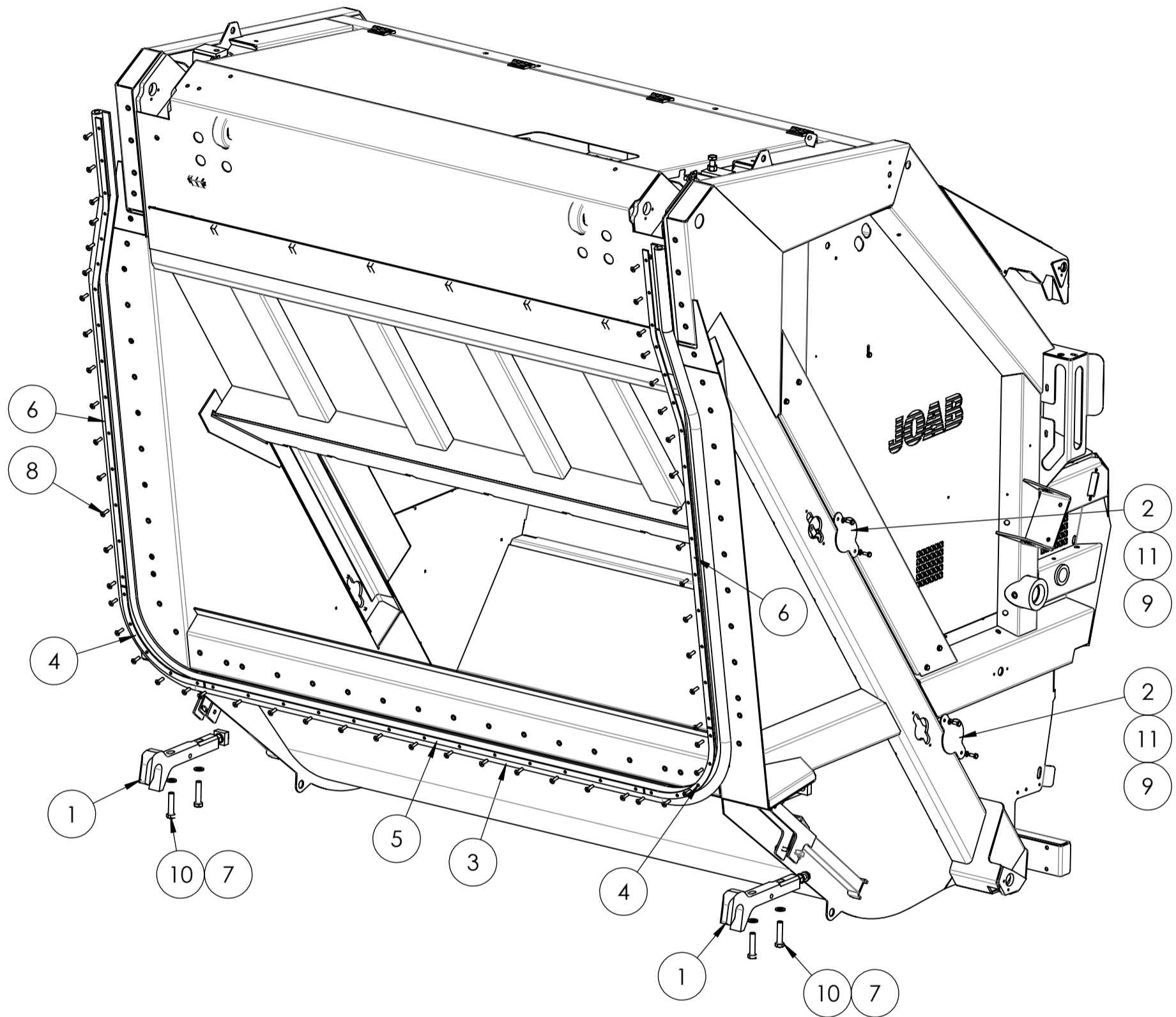
1523746
2014-01-09

MD baklucka mekanisk kärffångare-
MD Tailgate mechanical bin catcher

Rev. 1

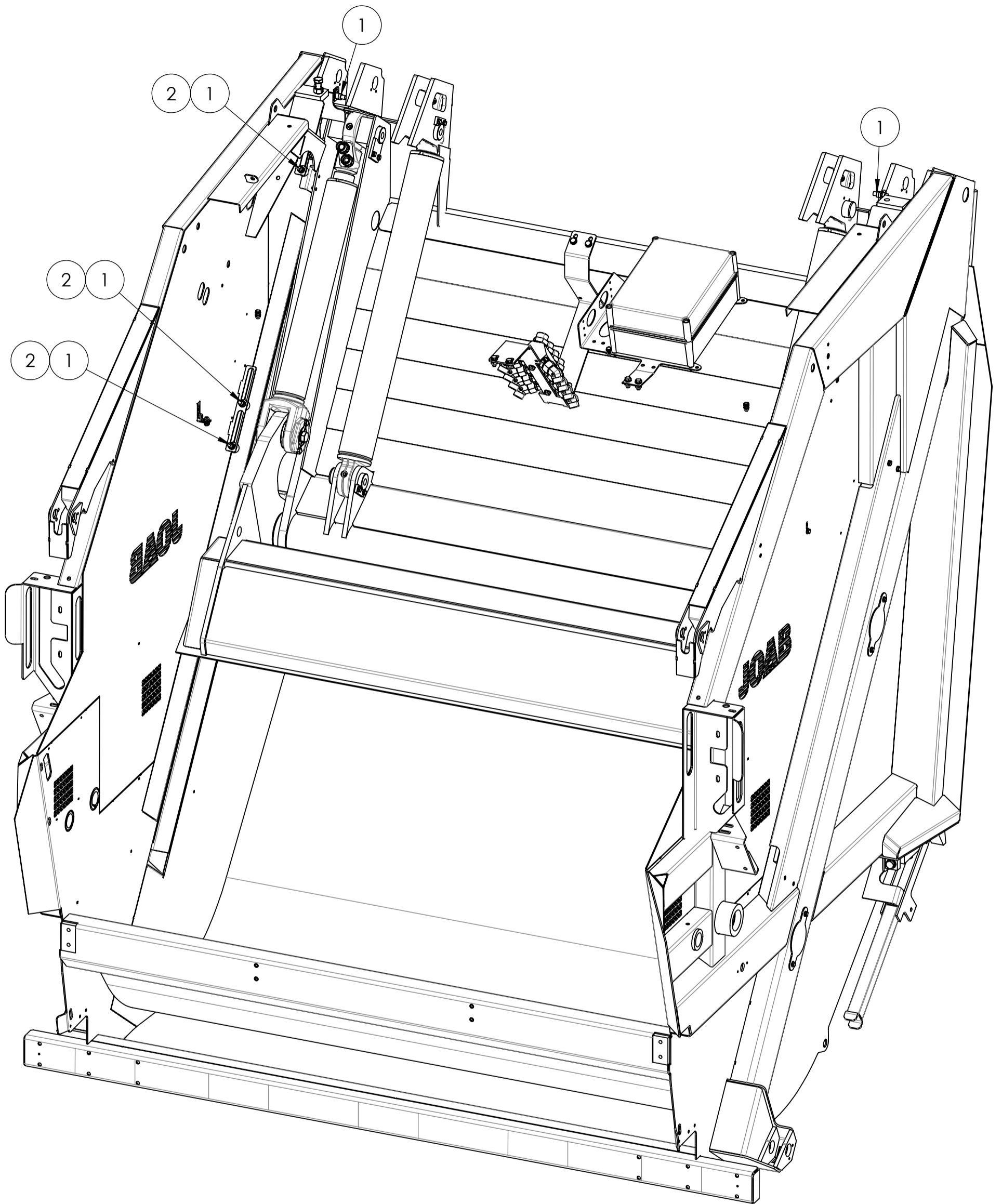
Date: 2014-03-27

Page
2 / 5



11	Skruv	Screw	1505263	
10	Skruv	Screw	1505264	
9	Bricka	Washer	1504899	
8	Skruv	Screw	1507699	
7	Bricka	Washer	1504903	
6	Gummilishållare övre	Rubber seal holder	1506687	
5	Rak gummilishållare	Rubber seal holder	1506843	
4	Gummilishållare 90°	Rubber seal holder	1505246	
3	Gummilist	Rubber seal	1505165-3	
2	Täcklock	Cover plate	1523829	1
1	Låshake	Lock latch	502030	6
ITEM NO.	Benämning	Title	Part no	YAP.Rev

Note! The images are for reference only. Components marked with * contact spare part branch.

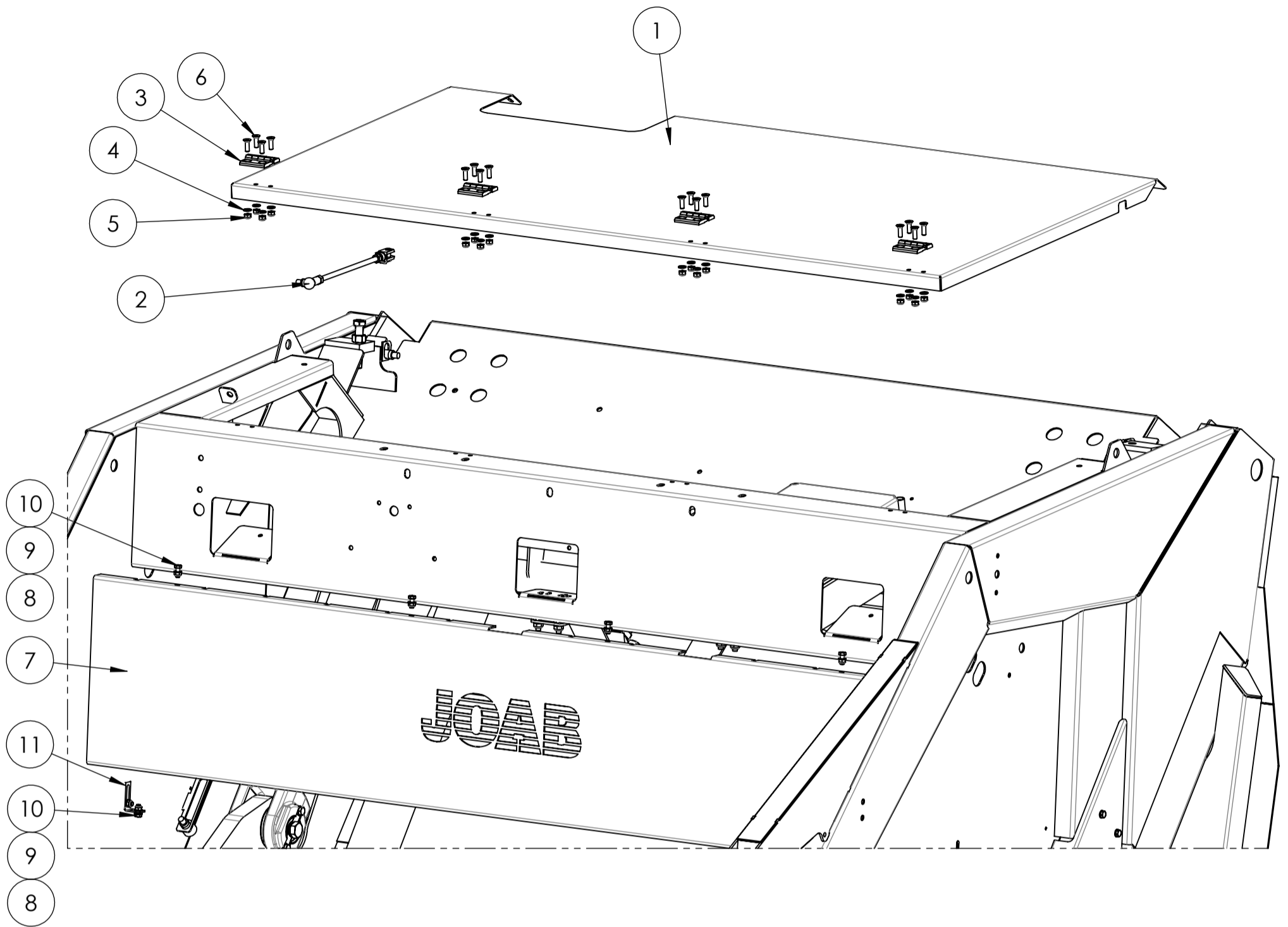


2	Slitplast givare	Hard plastic, sensor	1521340	
1	Induktiv givare	Inductive sensor	504768	
ITEM NO.	Benämning	Title	Part no	YAP.Rev

Note! The images are for reference only. Components marked with * contact spare part branch.

Induktiva sensorer-Inductive sensors

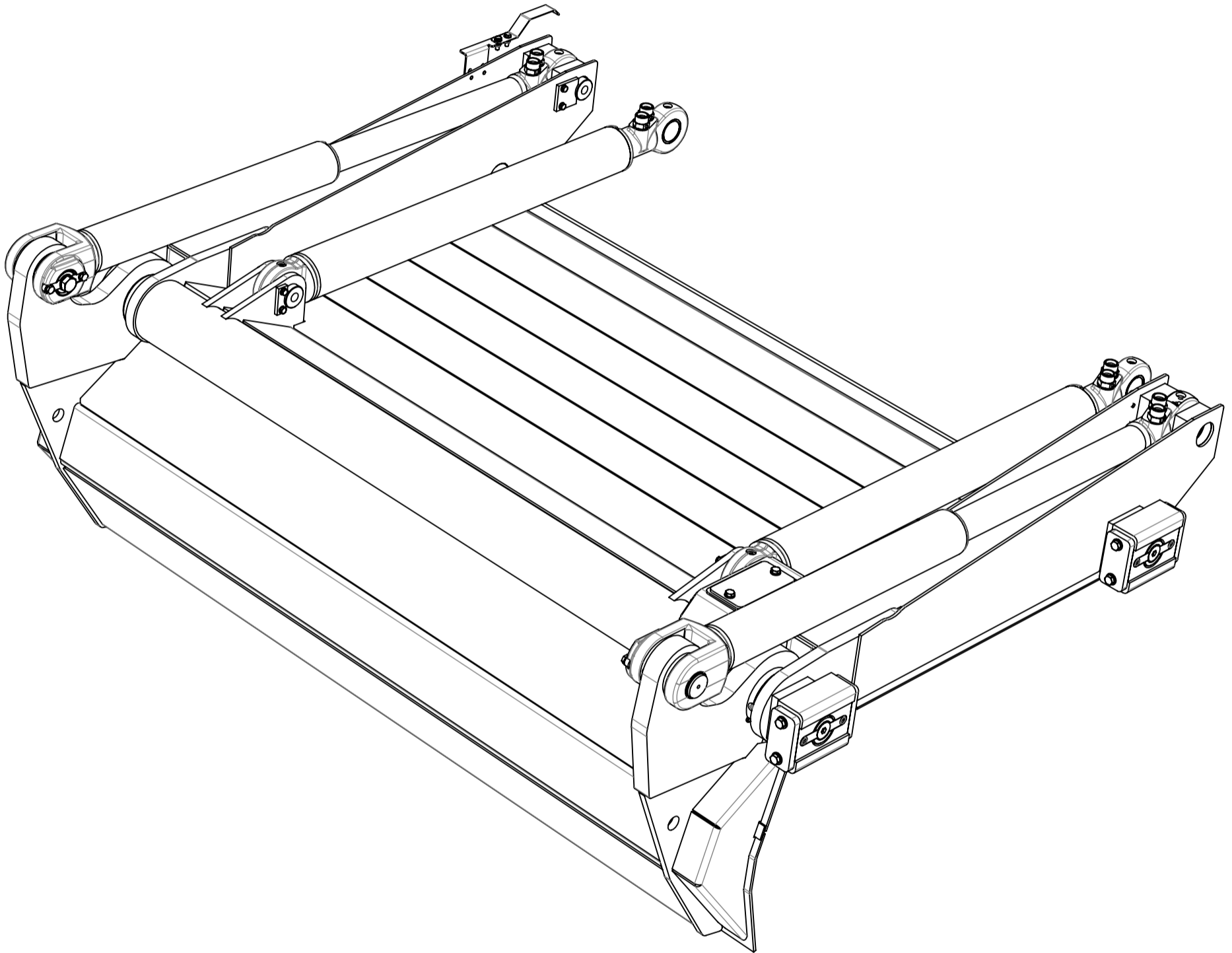
1523746	MD baklucka mekanisk kärffångare- MD Tailgate mechanical bin catcher
2014-01-09	
Rev. 1	Date: 2014-03-27



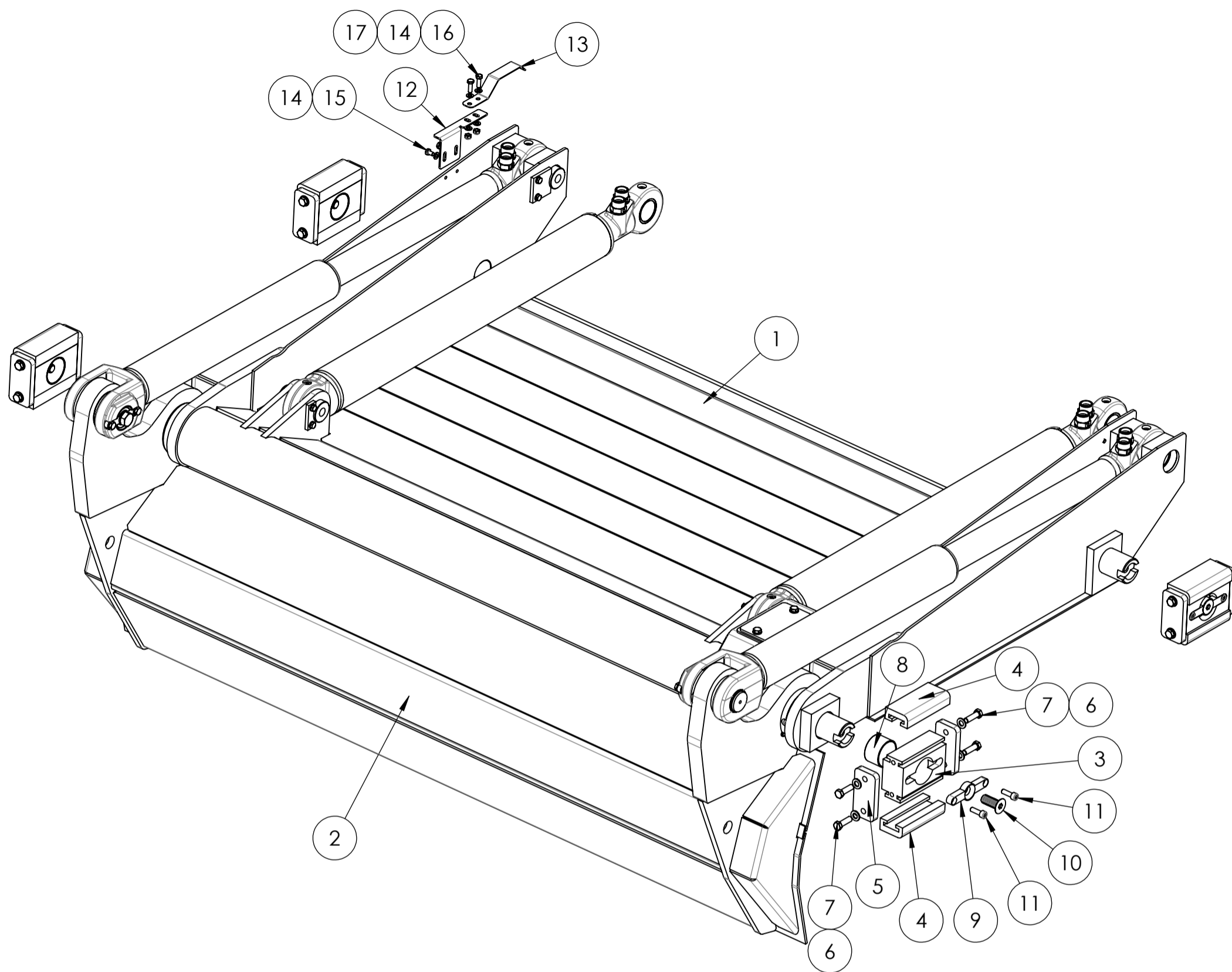
11	Vinkelfäste	Angle bracket	1509923	
10	Skruv	Screw	1505263	
9	Bricka	Washer	1504899	
8	Låsmutter	Locking nut	1505255	
7	Skyddsplåt	Cover	1506713	5
6	Skruv	Screw	1505267	
5	Låsmutter	Locking nut	1505255	
4	Bricka	Washer	1504899	
3	Gångjärn	Hinge	504609	
2	Skyddsstötta	Safety support	504618	
1	Takplåt baklucka MD	Roof plate MD	504595	3
ITEM NO.	Benämning	Title	Part no	YAP.Rev

Note! The images are for reference only. Components marked with * contact spare part branch.

Press & transportplatta MD Press & Transport plate MD

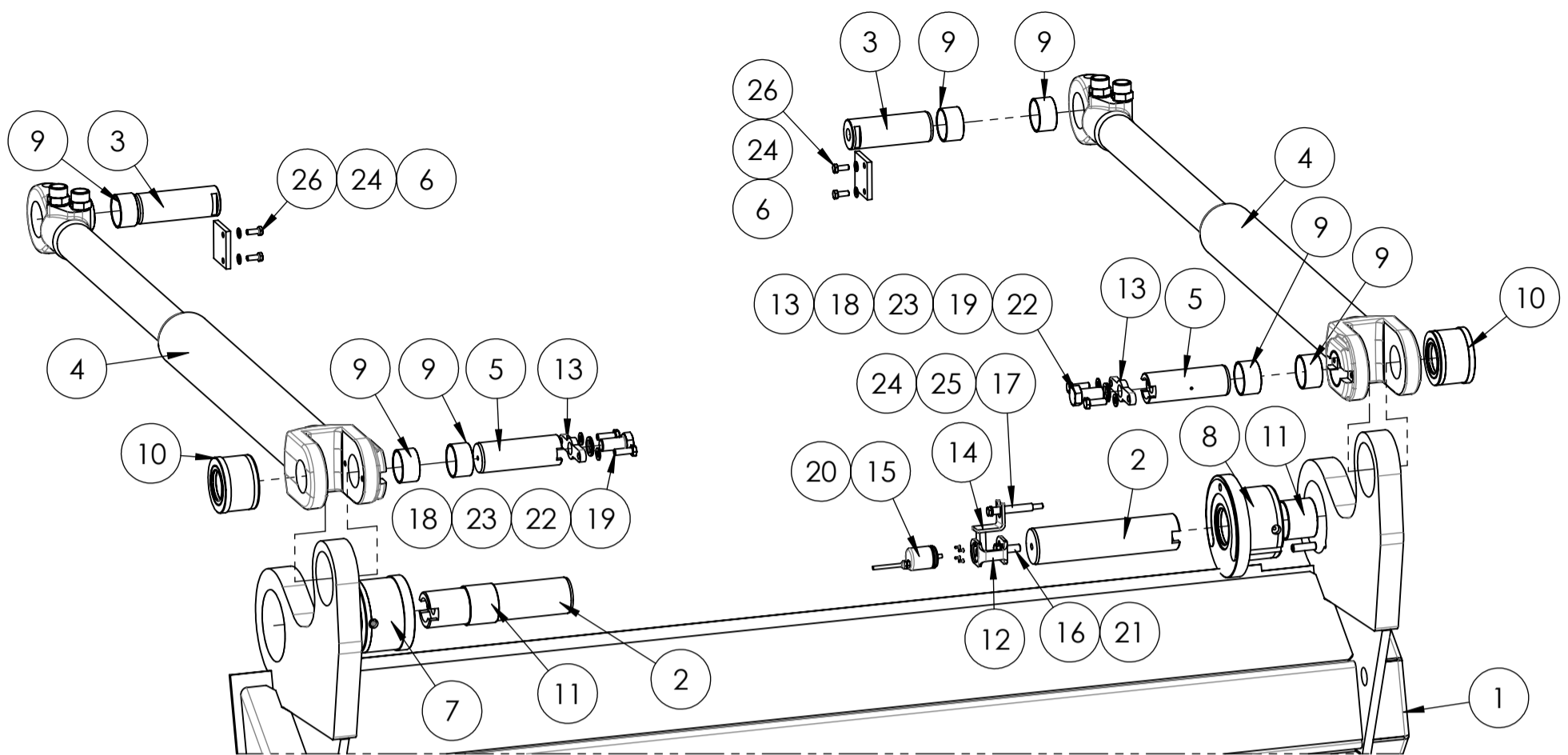


Note! The images are for reference only.
Components marked with * contact
spare part branch.



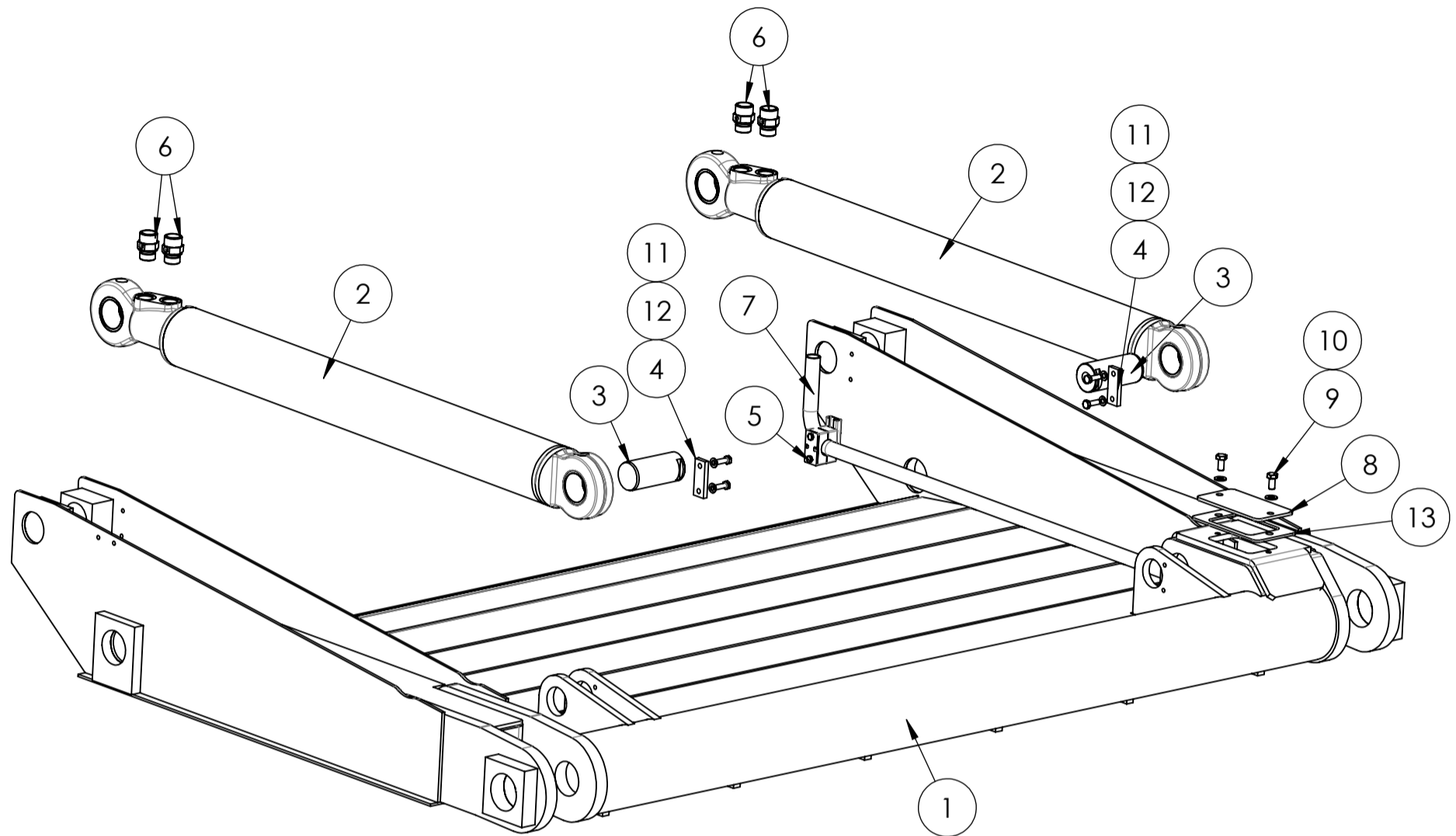
17	Låsmutter	Locking nut	1505255	
16	Skruv	Screw	1504922	
15	Skruv	Screw	1505614	
14	Bricka	Washer	1504899	
13	Sensorplåt	Sensor plate	1521344	
12	Fäste	Bracket	1522249	3
11	Skruv	Screw	1510249	2
10	Skruv	Screw	1522843	1
9	Lås kil	Locking wedge	1526812	1
8	Glidbussning	Bushing	1523105	1
7	Skruv	Screw	1505315	2
6	Bricka	Washer	1504901	
5	Plåt	Plate	1508847	
4	Glidbelägg TP	Sliding skid	504506	2
3	Glidklots	Slide block	1508846	5
2	Pressplatta MD	Press plate MD	1514834	3
1	Transportplatta	Transport plate	1505268	9
ITEM NO.	Benämning	Title	Part no	YAP.Rev

Note! The images are for reference only. Components marked with * contact spare part branch.



26	Skruv	Screw	1505263	
25	Skruv	Screw	1506538	
24	Bricka	Washer	1504899	
23	Bricka	Washer	1504900	
22	Skruv	Screw	1522842	1
21	Nordlock 12	Nordlock 12	1510522	
20	Skruv	Screw	1518847	2
19	Skruv	Screw	1506680	
18	Nordlock 20	Nordlock 20	1514276	
17	Distans	Spacer	1523073	1
16	Skruv	Screw	1508815	
15	Vinkelgivare	Angel sensor	1522902	2
14	Medbringare	Fork	1522899	1
13	Låskil	Locking wedge	1522837	1
12	Givarfäste	Sensor bracket	1522821	3
11	Glidbusning	Bushing	1515059	
10	Lagerhus	Bearing housing	1521131	
9	Glidbusning	Bushing	1514831	
8	Lagerhus	Bearing housing	1523102	2
7	Lagerhus	Bearing housing	1521137	2
6	Låsplåt	Locking plate	504569	
5	Bult	Bolt	1514829	3
4	Hydraulcylinder	Hydraulic cylinder	1526197	1
3	Bult	Bolt	1521139	
2	Axeltapp	Axle	1523100	1
1	Pressplatta MD	Press plate MD	1514834	3
ITEM NO.	Benämning	Title	Part no	YAP.Rev

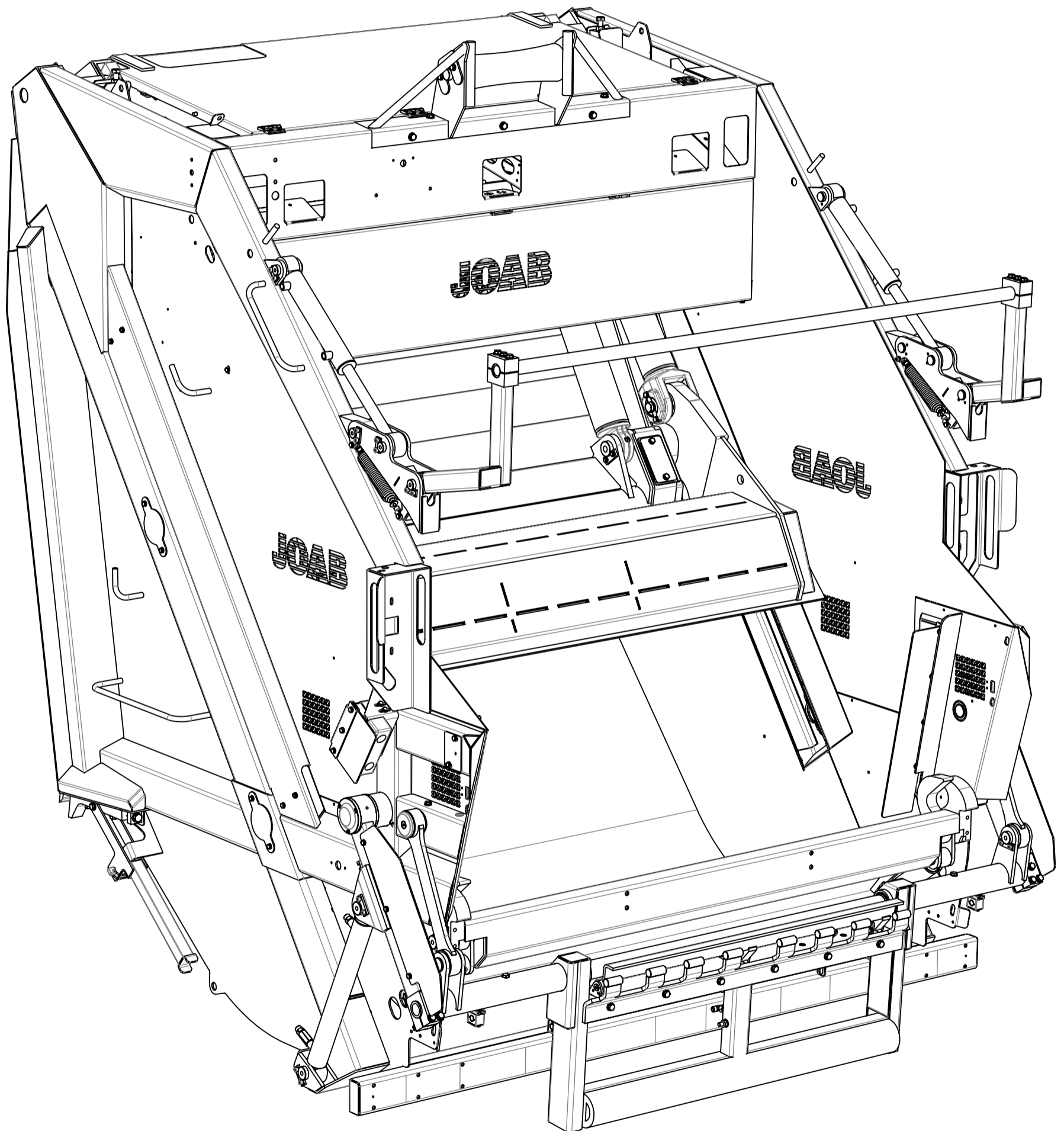
Note! The images are for reference only. Components marked with * contact spare part branch.



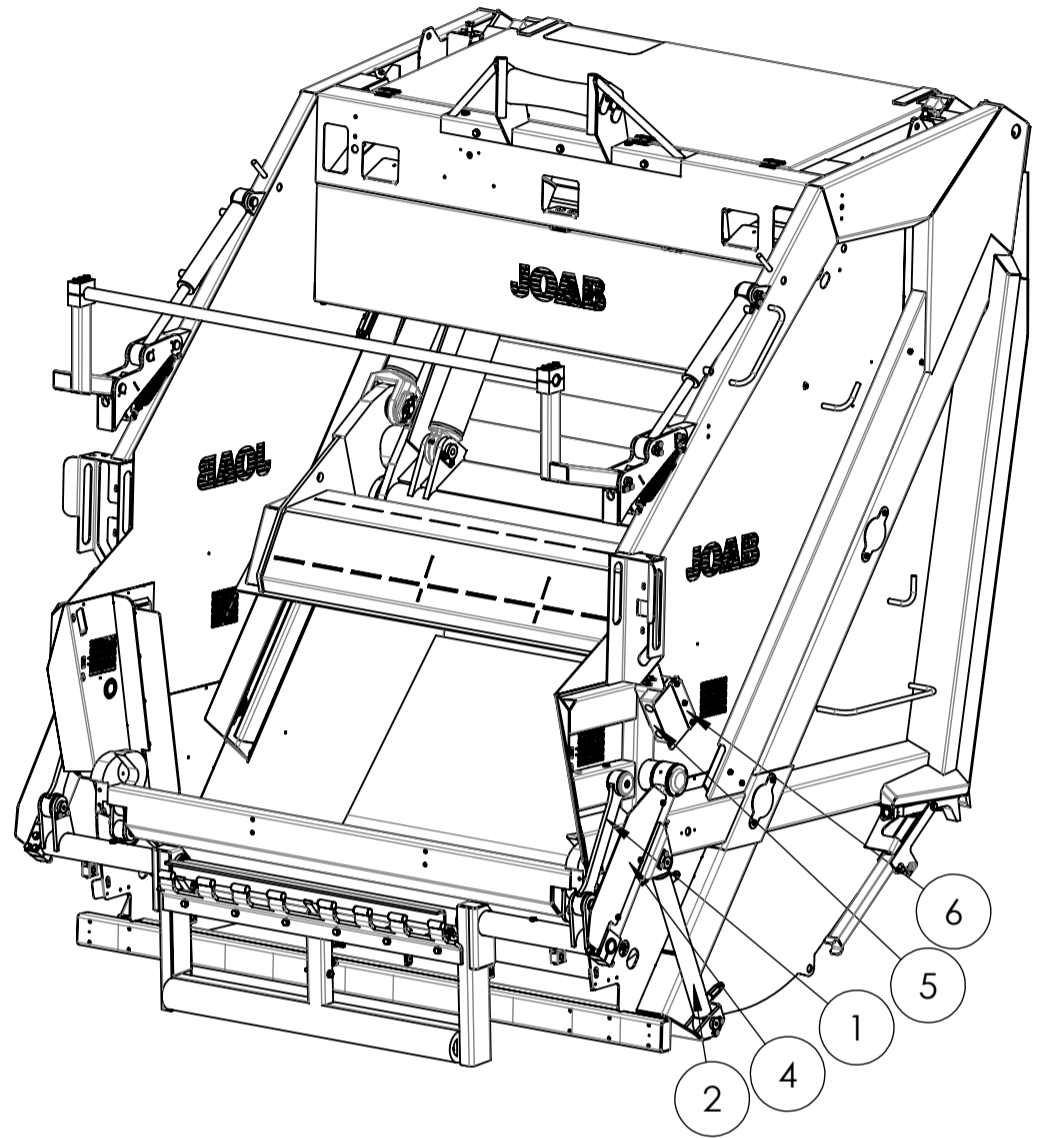
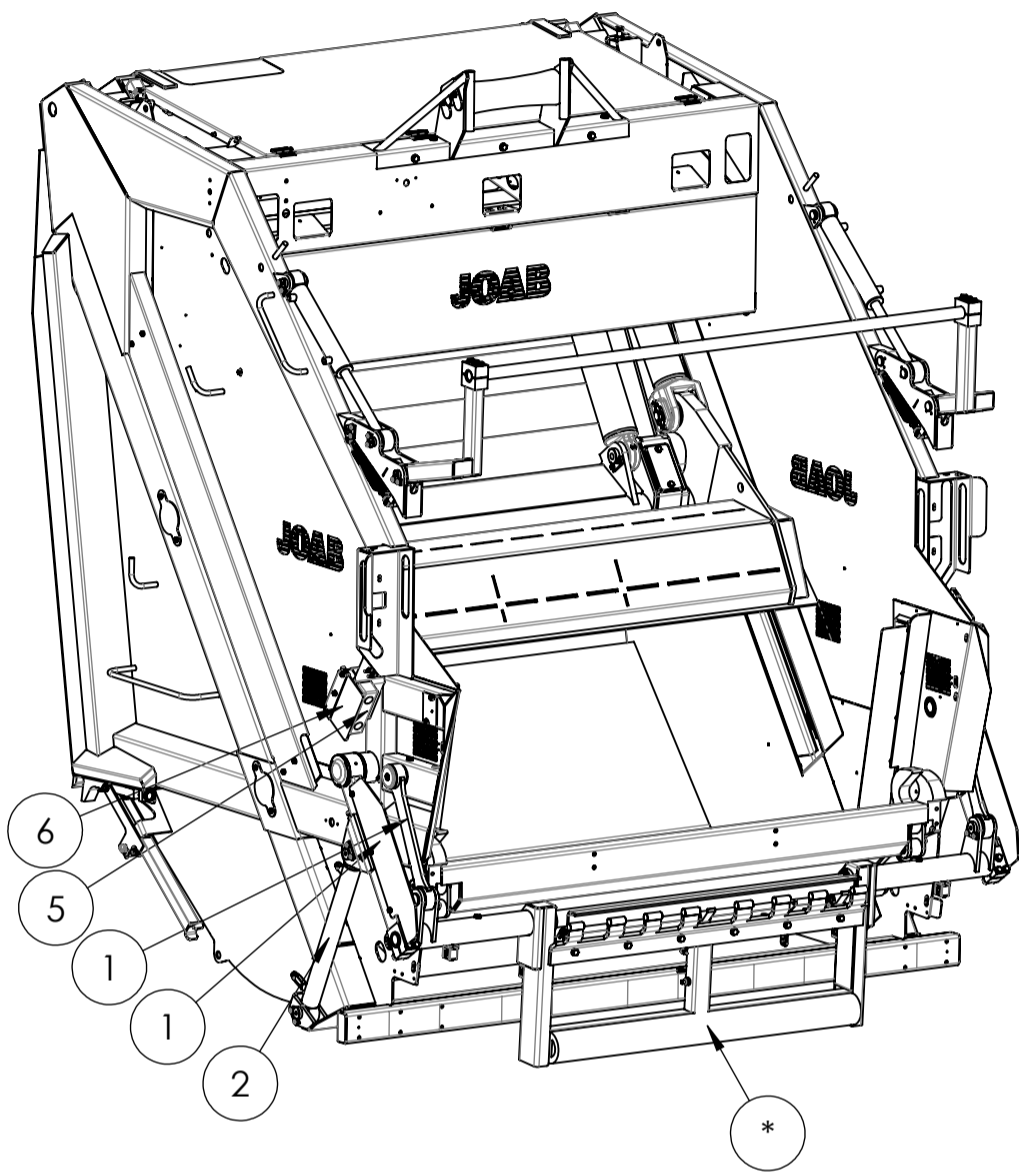
13	Packning	Gasket	1523933	1
12	Skruv	Screw	1504922	
11	Bricka	Washer	1504899	
10	Bricka	Washer	1504900	
9	Skruv	Screw	1507496	
8	Lock	Cover	1522917	1
7	Ledninsrör	Wire tube	1522844	2
6	Adapter	Adapter	504730	
5	Rörklamma	Pipe clamp	1507346	
4	Låsplatta	Locking plate	504332	2
3	Bult	Bolt	1521140	
2	Hydraulcylinder	Hydraulic cylinder	1526198	2
1	Transportplatta	Transport plate	1505268	9
ITEM NO.	Benämning	Title	Part no	YAP.Rev

Note! The images are for reference only. Components marked with * contact spare part branch.

Lyft HD, MD-Bin lift HD, MD

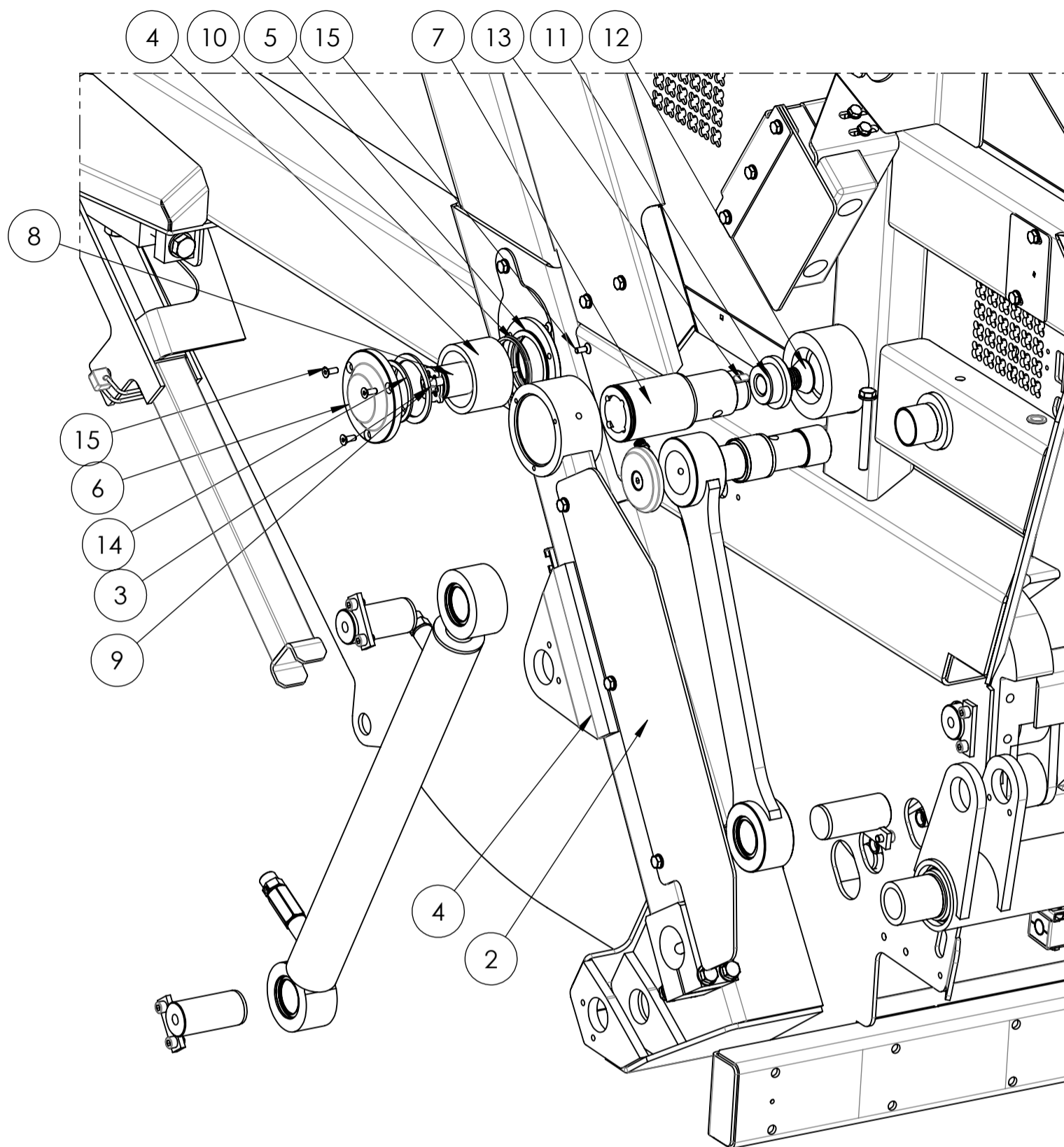


Note! The images are for reference only.
Components marked with * contact
spare part branch.



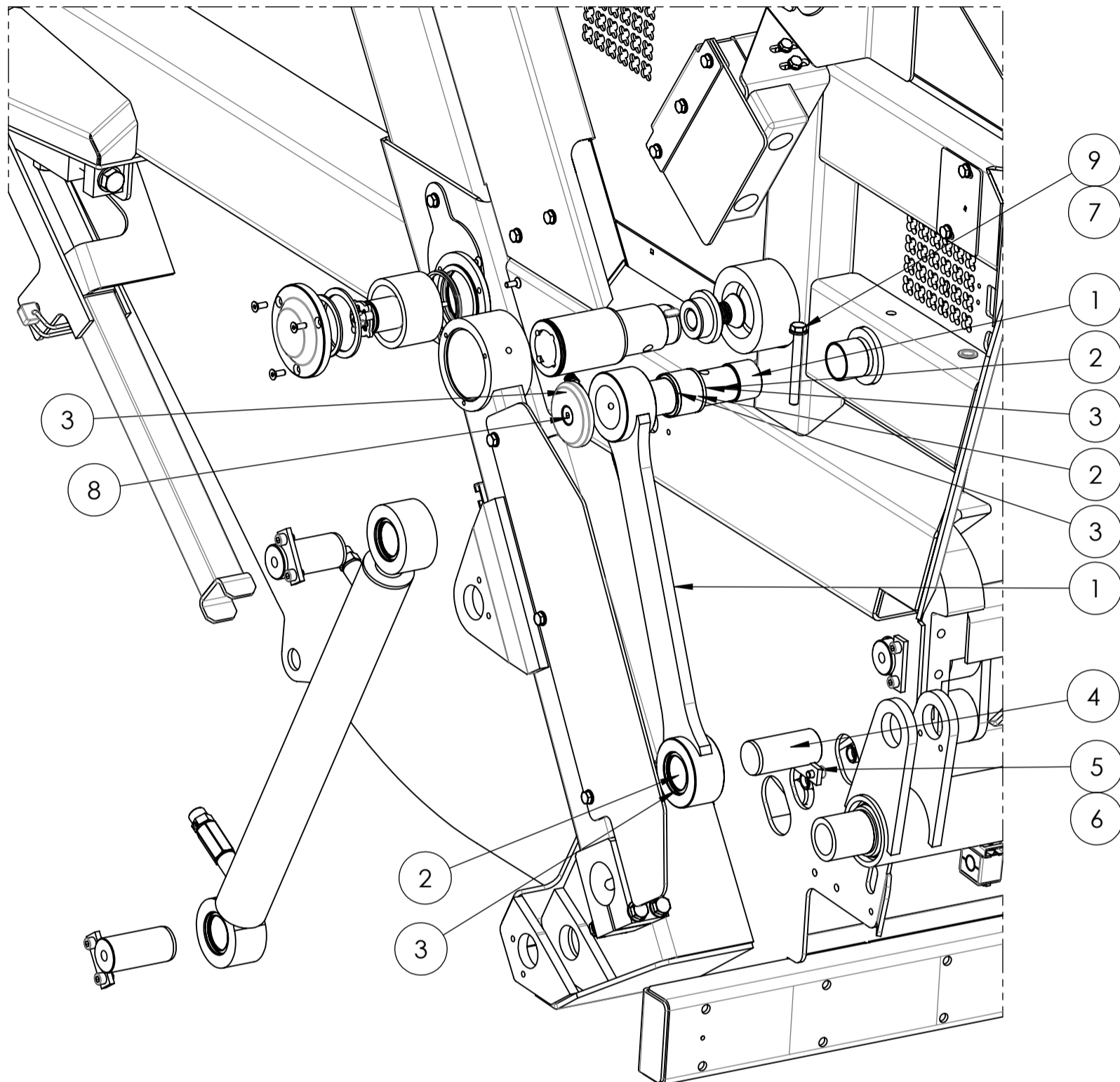
6	Gummiskydd lyftarm	Rubber cover	1523834	1
5	Gummibuffert	Bumper	1514622	
4	Lyftarm komplett Höger	Lift arm Right	1518851	5
3	Länkstång komplett	Link	1518838	2
2	Hydraulcylinder	Hydraulic cylinder	1518811	
1	Lyftarm komplett Vänster	Lift arm Left	1518757	5
ITEM NO.	Benämning	Title	Part no	YAP.Rev

Note! The images are for reference only. Components marked with * contact spare part branch.



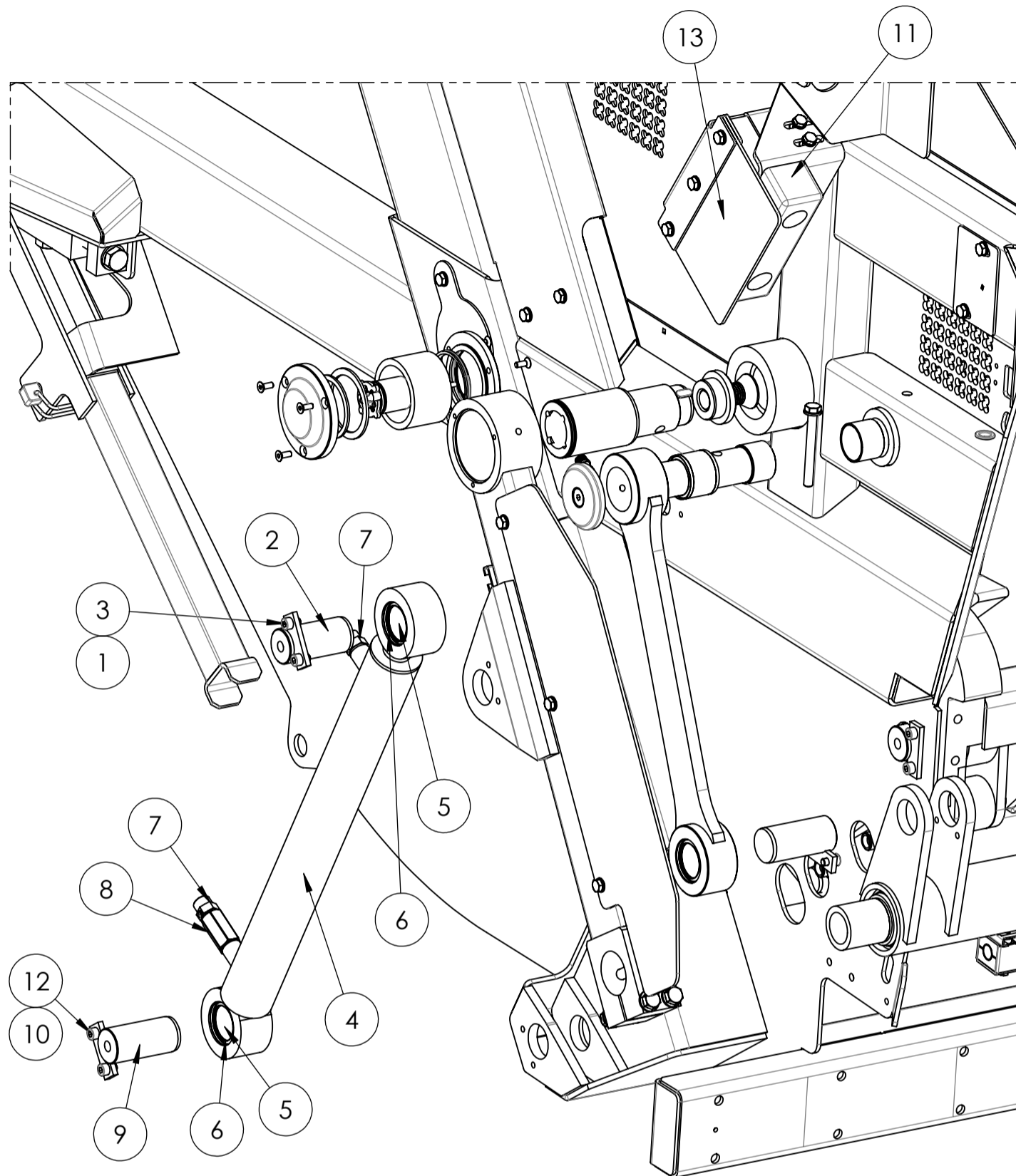
15	Skruv	Screw	1513374	
14	Segersäkring	Ring snap	1518844	
13	Plattkil	Wedge	1518850	
12	Skruv	Screw	1519816	
11	Bricka	Washer	1518849	3
10	Stefatätning	Seal	1513246	
9	Medbringare	Follower	1518783	
8	Vinkelgivare	Angle sensor	1522902	2
7	Lyftarmsaxeltapp	Bolt	1518751	
6	Lock lyftarm yttre	Cover	1518734	
5	Lock lyftarm inre	Cover	1518735	
4	Bussning	Bushing	1518752	
3	Distansring	Spacer	1518753	
2	Lyftskydd	Lift arm cover	1506190	6
1	Lyftarm Vänster	Lift arm left	1518728	4
ITEM NO.	Benämning	Title	Part no	YAP.Rev

Note! The images are for reference only. Components marked with * contact spare part branch.



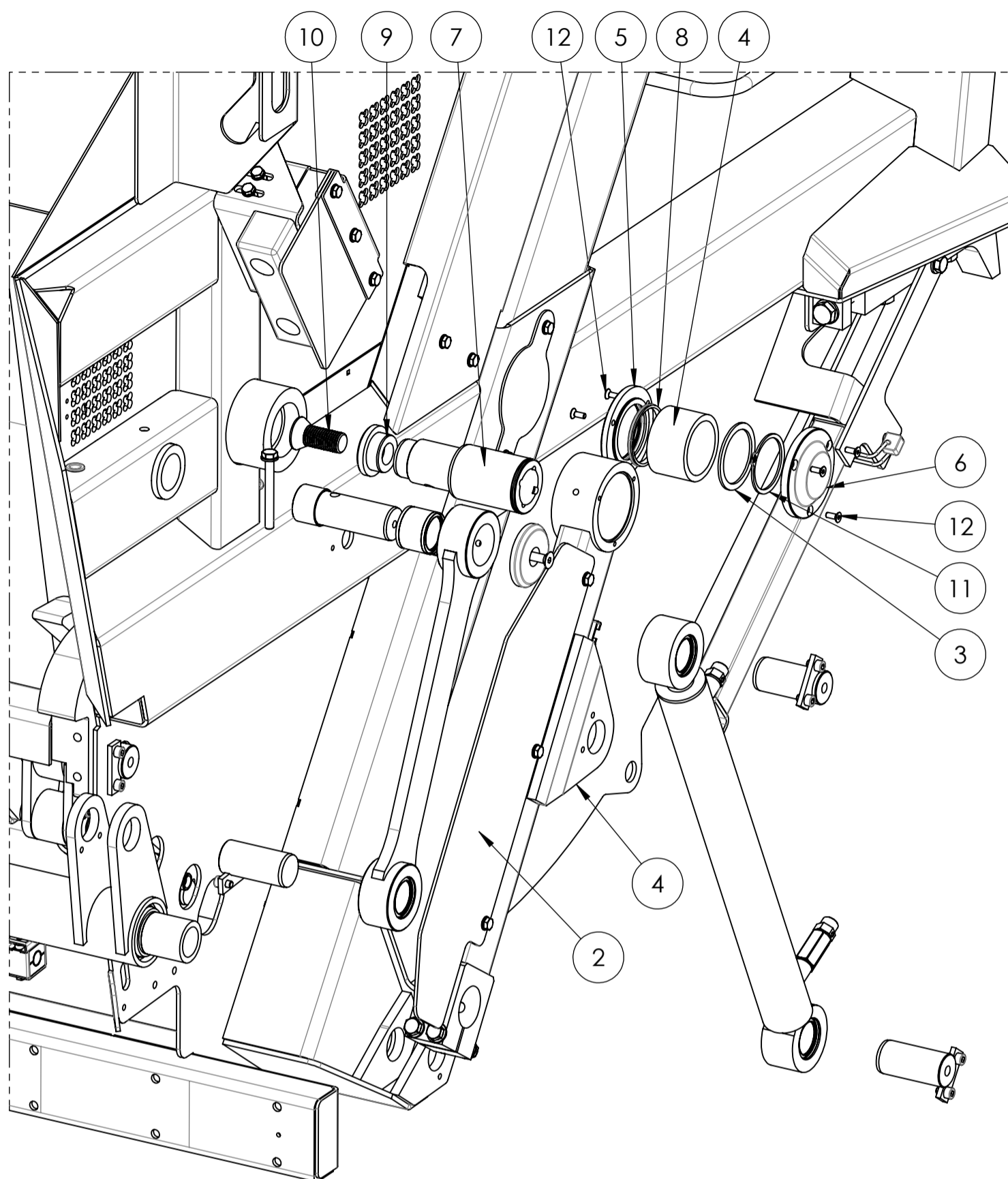
9	Skruv	Screw	1519377	
8	Skruv	Screw	1505618	2
7	Bricka	Washer	1504900	
6	Skruv	Screw	1512953	
5	Låsplatta	Locking plate	504337	2
4	Bult	Bolt	1518836	
3	Lock	Cover	1518827	3
2	Bult	Bolt	1518821	
1	Bussning	Bushing	1518822	
ITEM NO.	Benämning	Title	Part no	YAP.Rev

Note! The images are for reference only. Components marked with * contact spare part branch.



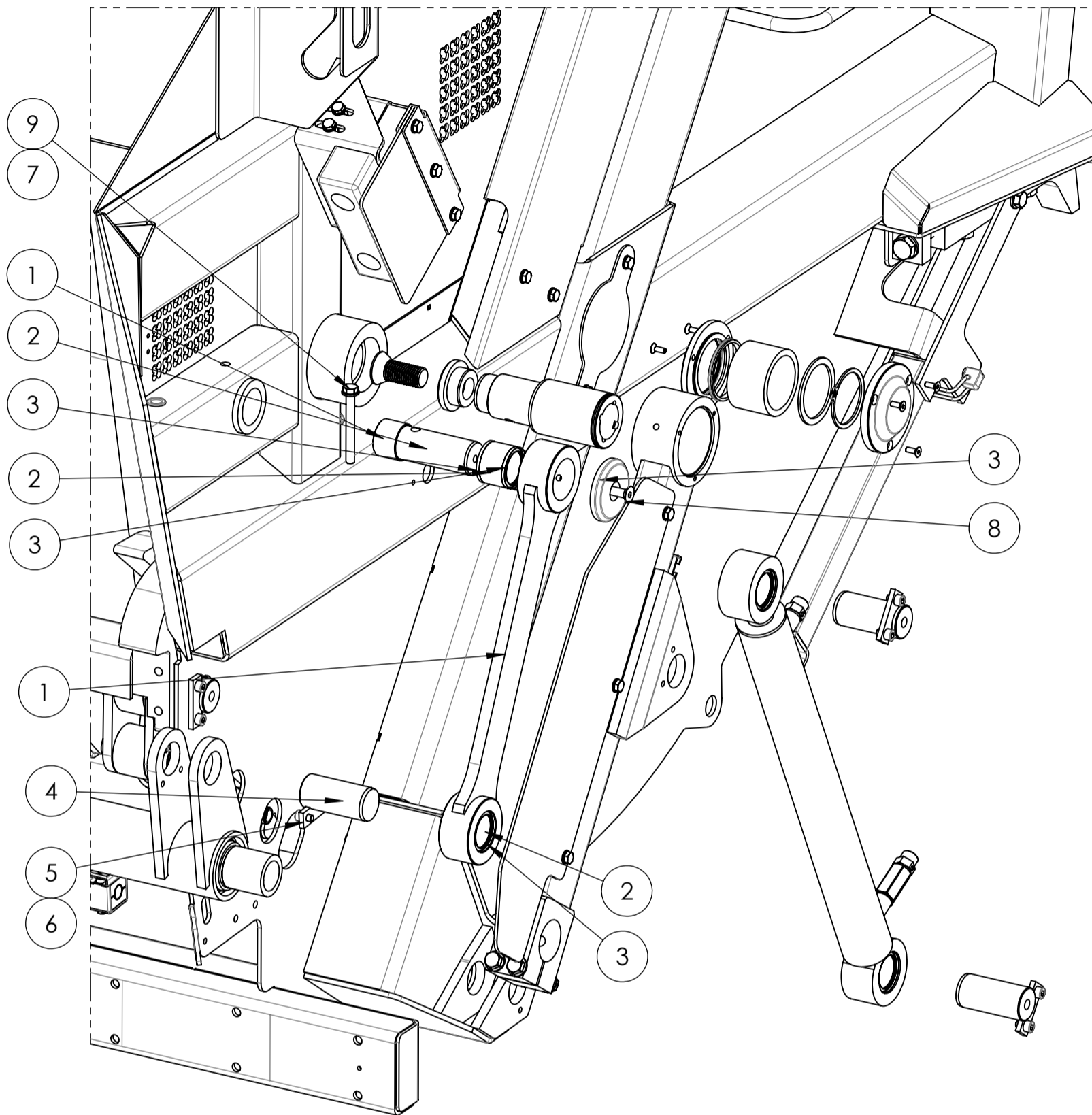
13	Skydd lyftstopp	Cover, rubber	1523185	2
12	Skruv	Screw	1512953	
11	Gummibuffert	Bumper	1514622	
10	Låsplatta	Locking plate	504337	2
9	Bult	Bolt	1518836	
8	Slangbrottsventil lyft	Hose break valve	1507898	
7	Adapter	Adapter	1505025	
6	Radialtätning	Seal	1515636	
5	Bussning	Bushing	1518826	
4	Hydraulcylinder	Hydraulic cylinder	1518811	
3	Skruv	Screw	1512953	
2	Bult	Bolt	1518836	
1	Låsplatta	Locking plate	504337	2
ITEM NO.	Benämning	Title	Part no	YAP.Rev

Note! The images are for reference only. Components marked with * contact spare part branch.



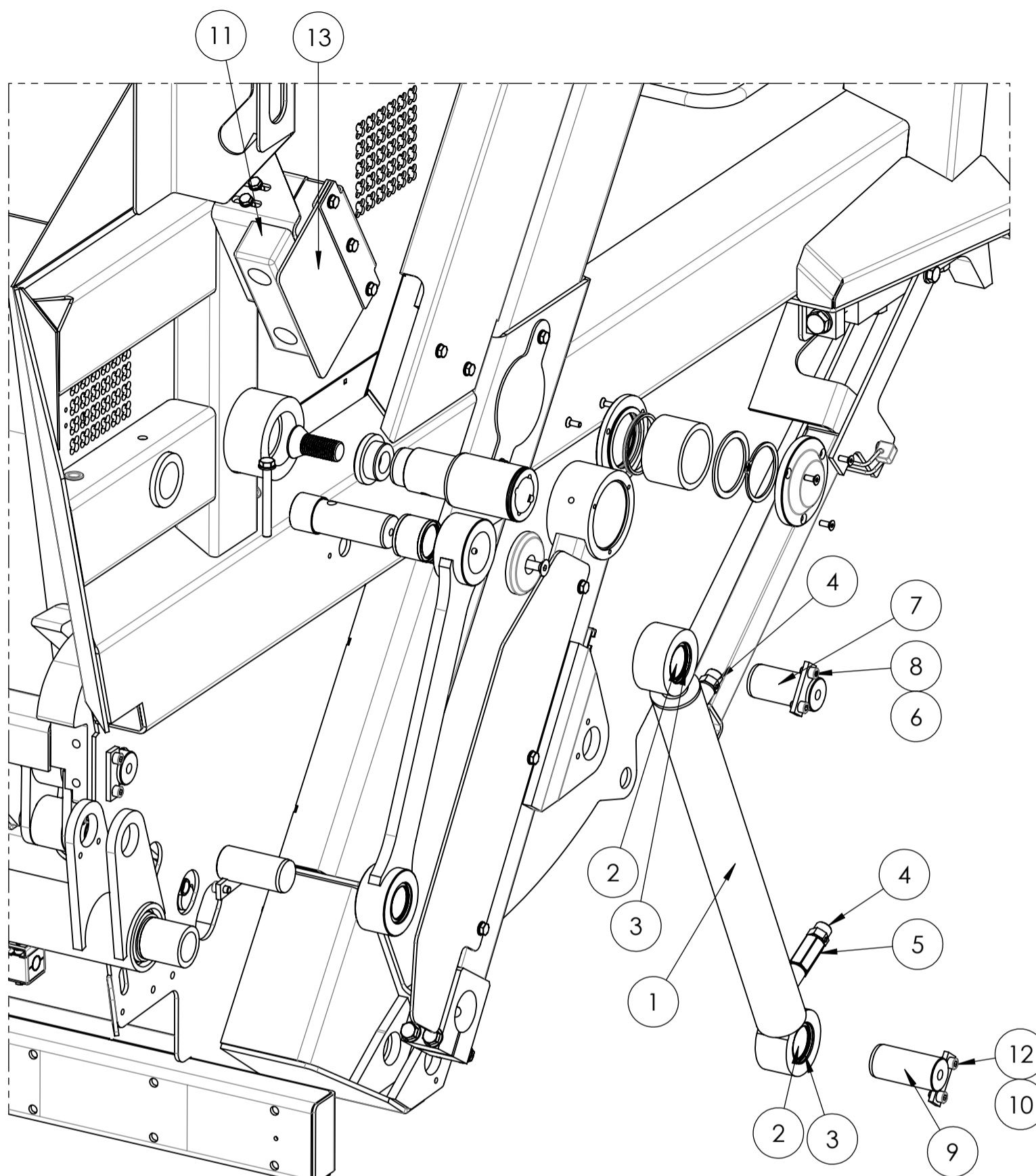
12	Skruv	Screw	1513374	
11	Segersäkring	Snap ring	1518844	
10	Skruv	Screw	1519816	
9	Bricka	Washer	1518849	3
8	Stefatätning	Seal	1513246	
7	Lyftarmsaxeltapp	Bolt	1518751	
6	Lock lyftarm yttre	Cover	1518734	
5	Lock lyftarm inre	Cover	1518735	
4	Bussning	Bushing	1518752	
3	Distansring	Spacer	1518753	
2	Lyftskydd	Lift arm cover	1506190	6
1	Lyftarm Höger	Lift arm right	1518852	4
ITEM NO.	Benämning	Title	Part no	YAP.Rev

Note! The images are for reference only. Components marked with * contact spare part branch.



9	Skruv	Screw	1519377	
8	Skruv	Screw	1505618	2
7	Bricka	Washer	1504900	
6	Skruv	Screw	1512953	
5	Låsplatta	Locking plate	504337	2
4	Bult	Bolt	1518836	
3	Lock	Cover	1518827	3
2	Bult	Bolt	1518821	
1	Bussning	Bushing	1518822	
ITEM NO.	Benämning	Title	Part no	YAP.Rev

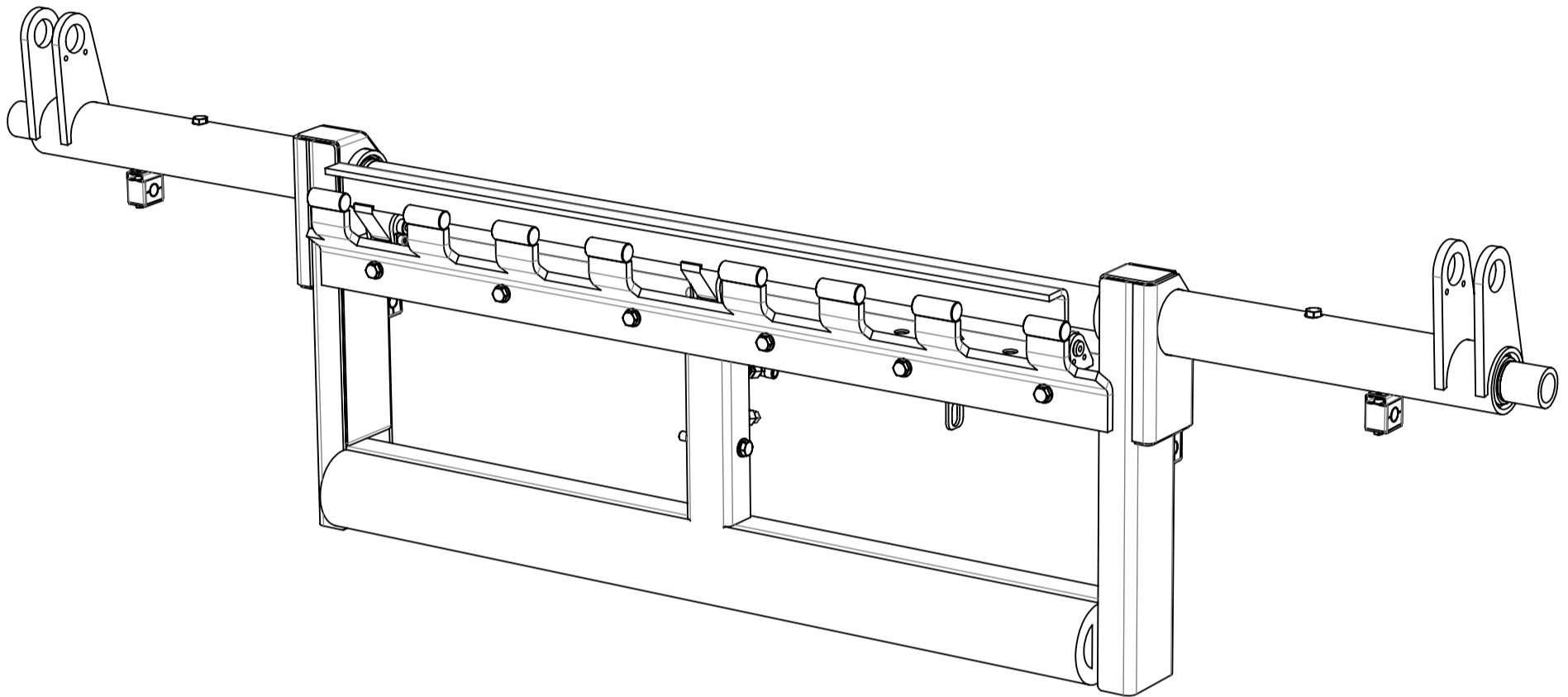
Note! The images are for reference only. Components marked with * contact spare part branch.



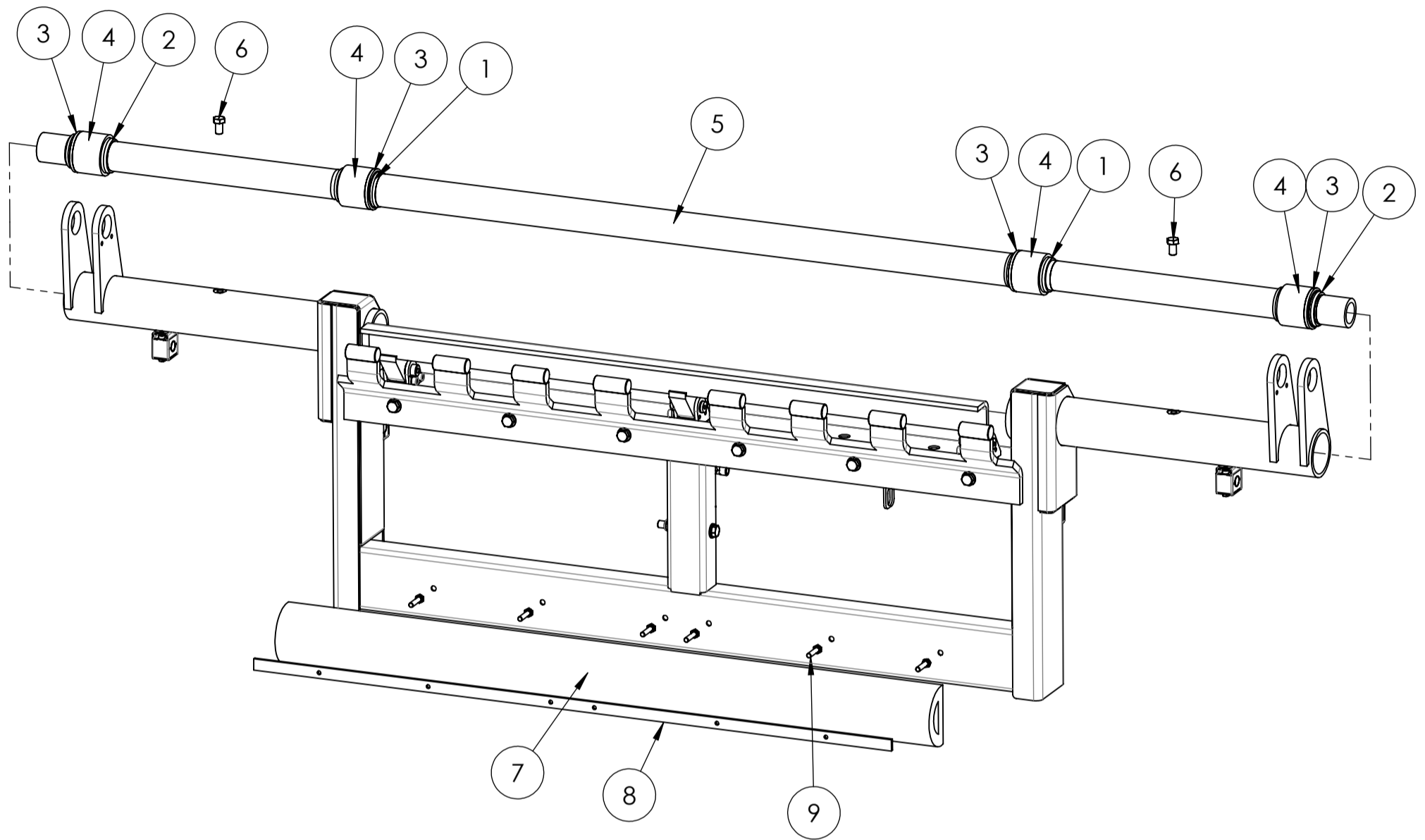
13	Skydd lyftstopp	Cover, rubber	1523185	2
12	Skruv	Screw	1512953	
11	Gummibuffert	Bumper	1514622	
10	Låsplatta	Locking plate	504337	2
9	Bult	Bolt	1518836	
8	Skruv	Screw	1512953	
7	Bult	Bolt	1518836	
6	Låsplatta	Locking plate	504337	2
5	Slangbrottsventil lyft	Hose break valve	1507898	
4	Adapter	Adapter	1505025	
3	Radialtätning	Seal	1515636	
2	Bussning	Bushing	1518826	
1	Hydraulcylinder	Hydraulic cylinder	1518811	
ITEM NO.	Benämning	Title	Part no	YAP.Rev

Note! The images are for reference only. Components marked with * contact spare part branch.

T vagger 80-1000L HD, MD T cradle 80-1000 HD, MD

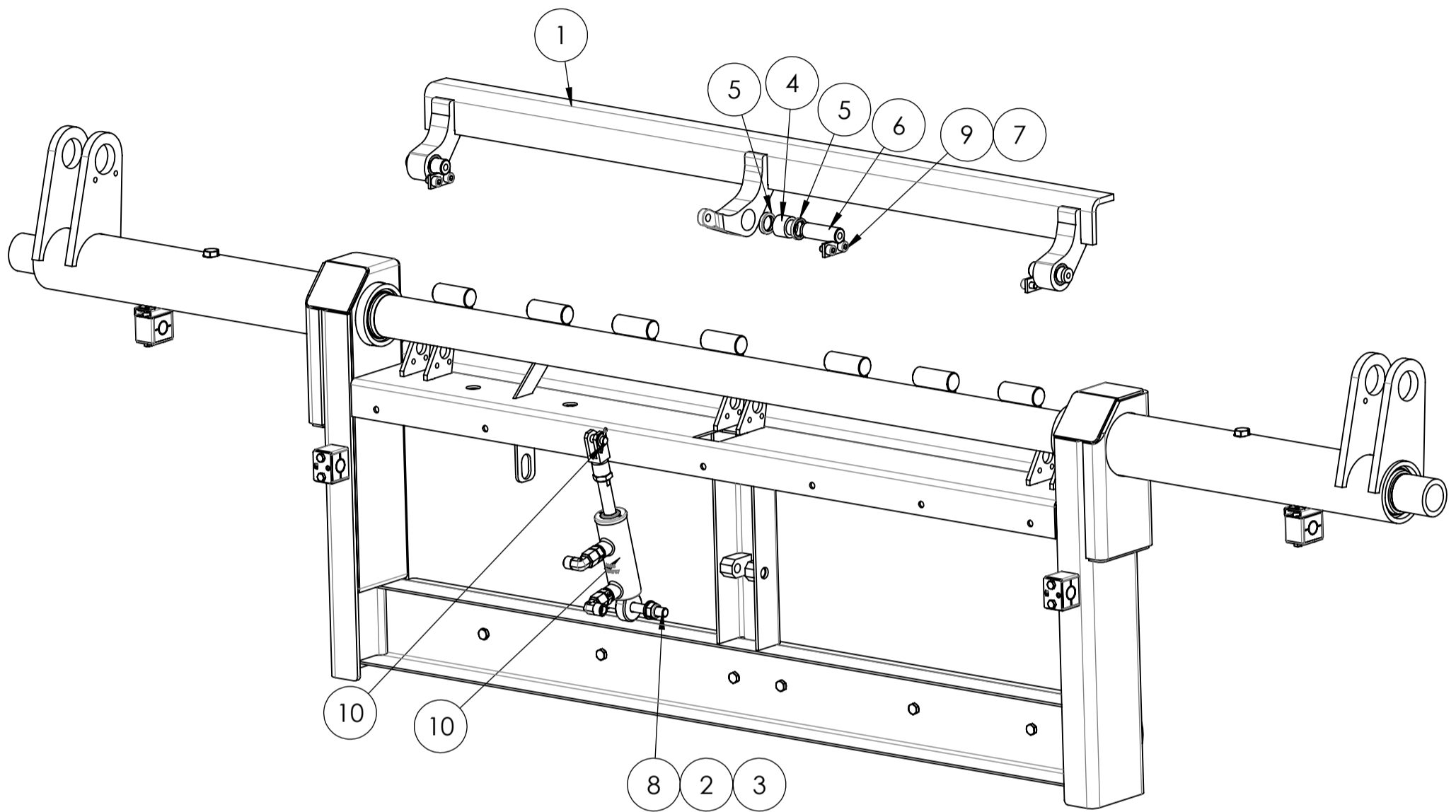


Note! The images are for reference only.
Components marked with * contact
spare part branch.



9	Skruv	Screw	1505686	
8	Fenderfäste	Bumper holder	1520033	
7	Gummifender L=1200	Bumper	1505681	
6	Skruv	Screw	1507497	
5	Rör	Tube	1518789	3
4	Bussning	Bushing	1518404	
3	Radialtätning	Seal	1516530	
2	Axelhylsa	Shaft sleeve	1518803	3
1	Axelhylsa	Shaft sleeve	1518790	3
ITEM NO.	Benämning	Title	Part no	YAP.Rev

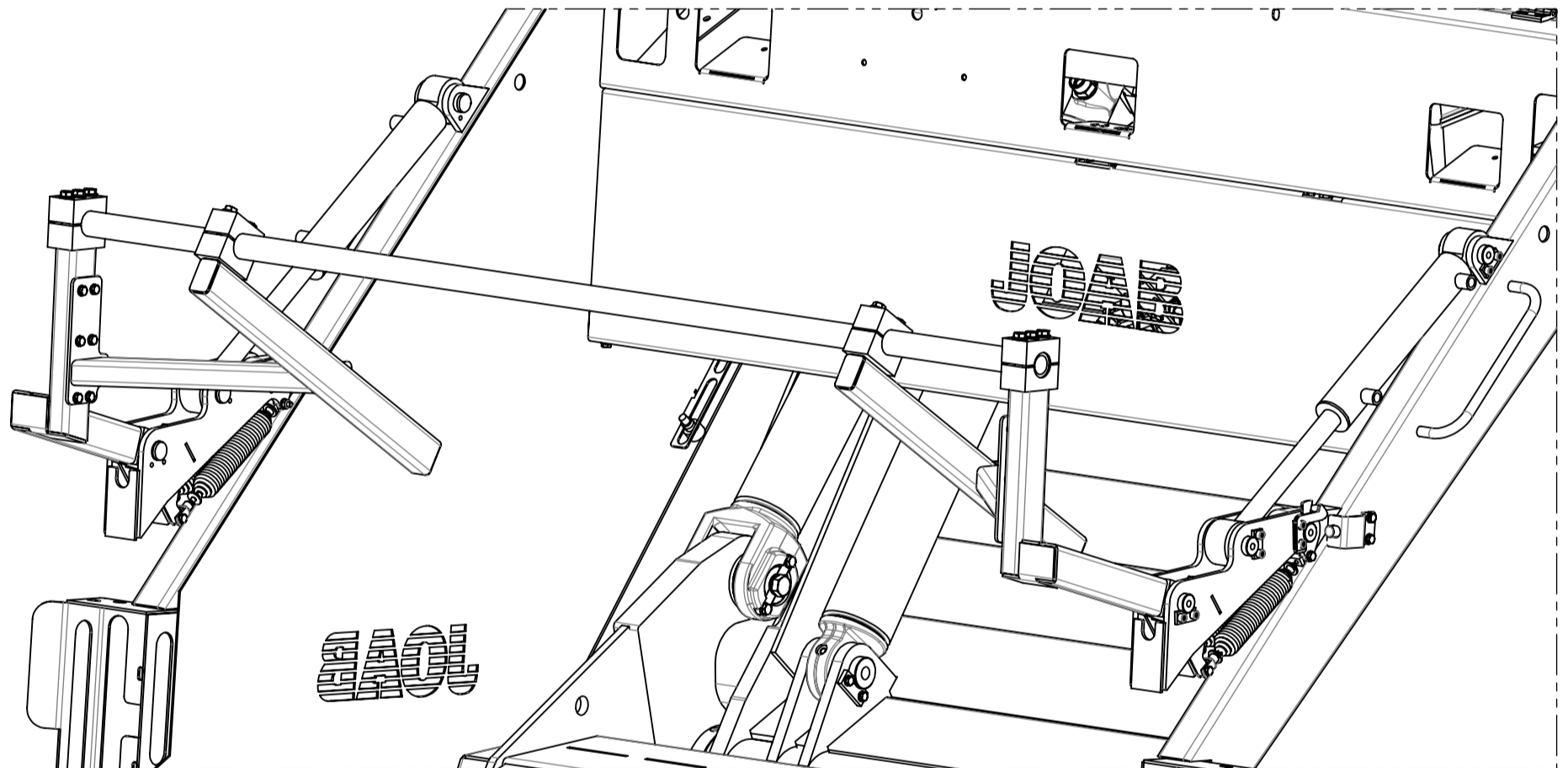
Note! The images are for reference only. Components marked with * contact spare part branch.



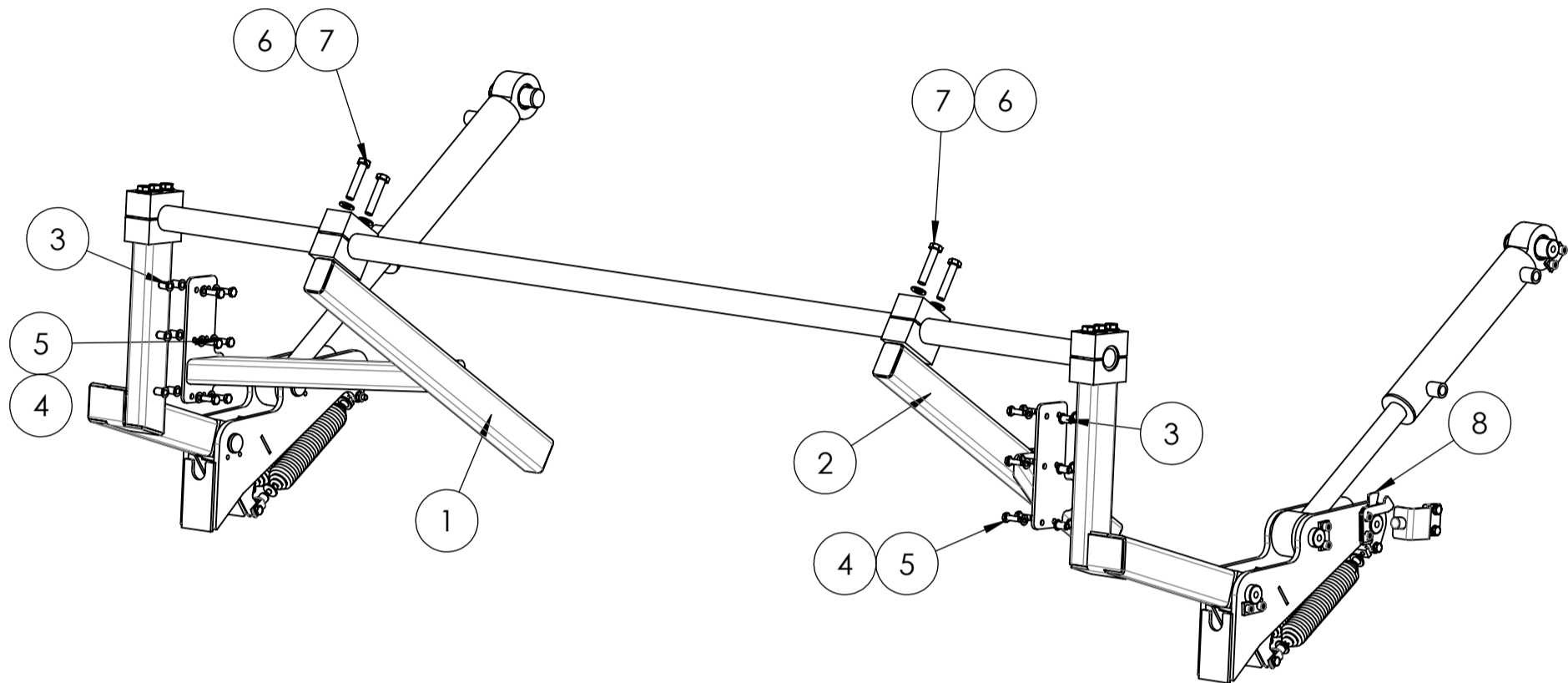
10	Cylinder komplett	Hydraulic cylinder	1524781	1
9	Skruv	Screw	1512953	
8	Skruv	Screw	1506737	
7	Låsplatta	Locking plate	504334	2
6	Bult	Bolt	1519796	2
5	Avstrykare	Seal	1506796	
4	Bussning	Bushing	1519795	
3	Bricka	Washer	1504901	
2	Låsmutter	Locking nut	1505258	
1	Låsklaff	Bin lock	502169	6
ITEM NO.	Benämning	Title	Part no	YAP.Rev

Note! The images are for reference only. Components marked with * contact spare part branch.

**Kärlfångare med locköppnare
Bin catcher with lid opener**



Note! The images are for reference only. Components marked with * contact spare part branch.



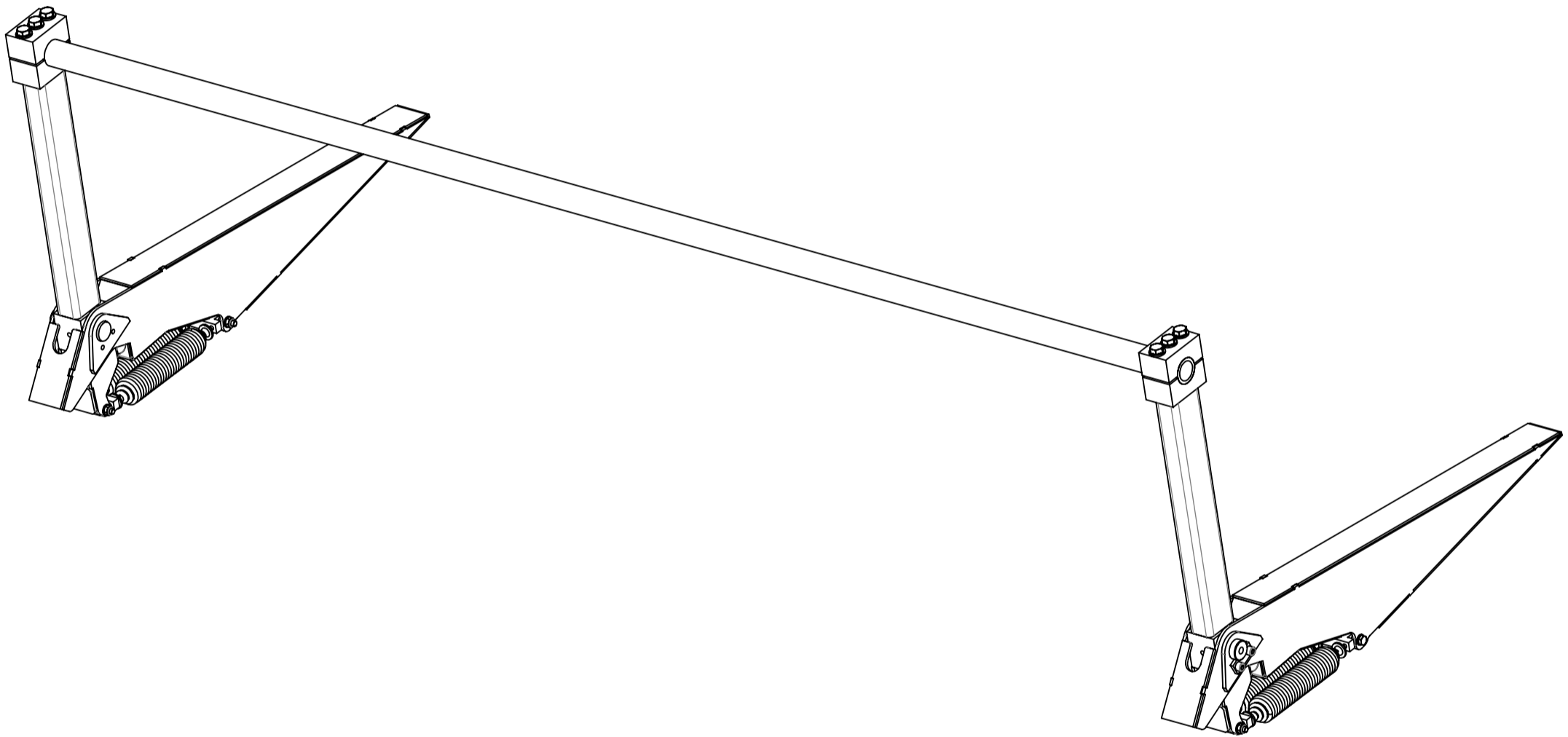
8	Arm för givare	Arm for sensor	1523126	1
7	Skruv	Screw	1505613	
6	Bricka	Washer	1504901	
5	Skruv	Screw	1504922	
4	Bricka	Washer	1504899	
3	Blindnitmutter	Rivet nut	1504886	
2	Locköppnare höger	Lid opener right	1520650	2
1	Locköppnare vänster	Lid opener left	1520645	3
ITEM NO.	Benämning	Title	Part no	YAP.Rev

Note! The images are for reference only. Components marked with * contact spare part branch.

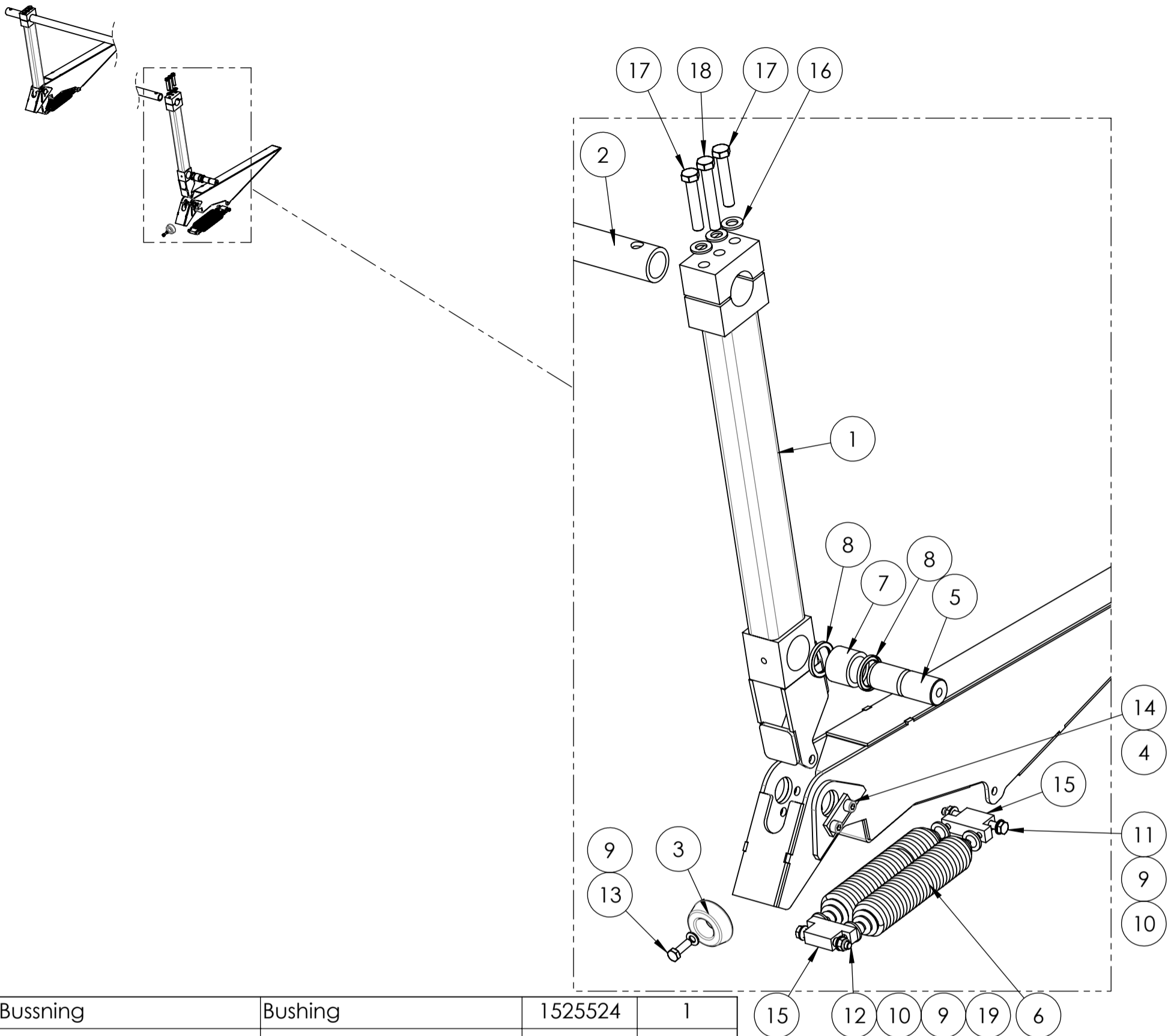
Kärlfångare med locköppnare-Bin catcher with lid opener

1520656 Kärlfångare med locköppnare-Bin catcher with lid opener
2014-01-09
Rev. 1 Date: 2014-03-27

Mekanisk kärifångare-Mechanical bin catcher HD, MD, MDL, L77



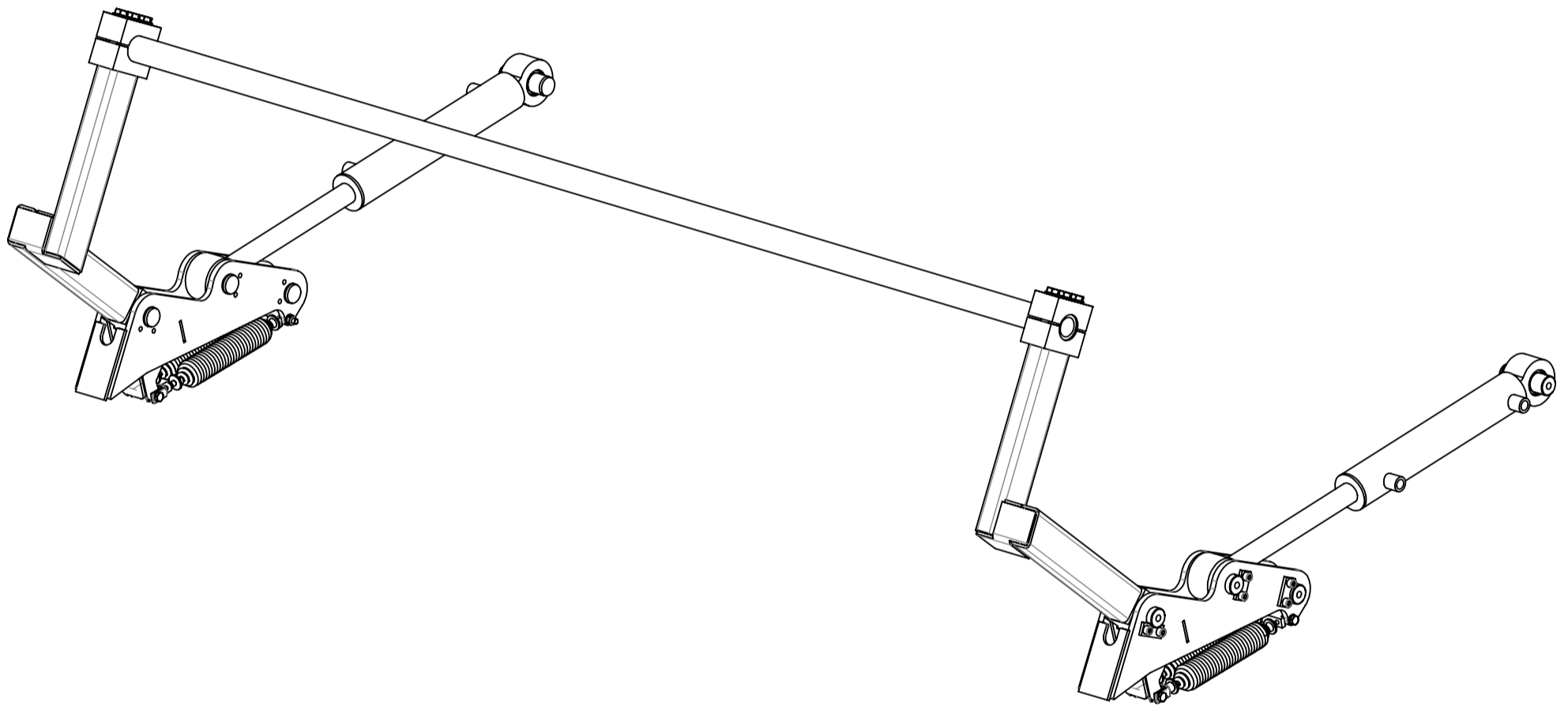
Note! The images are for reference only.
Components marked with * contact
spare part branch.



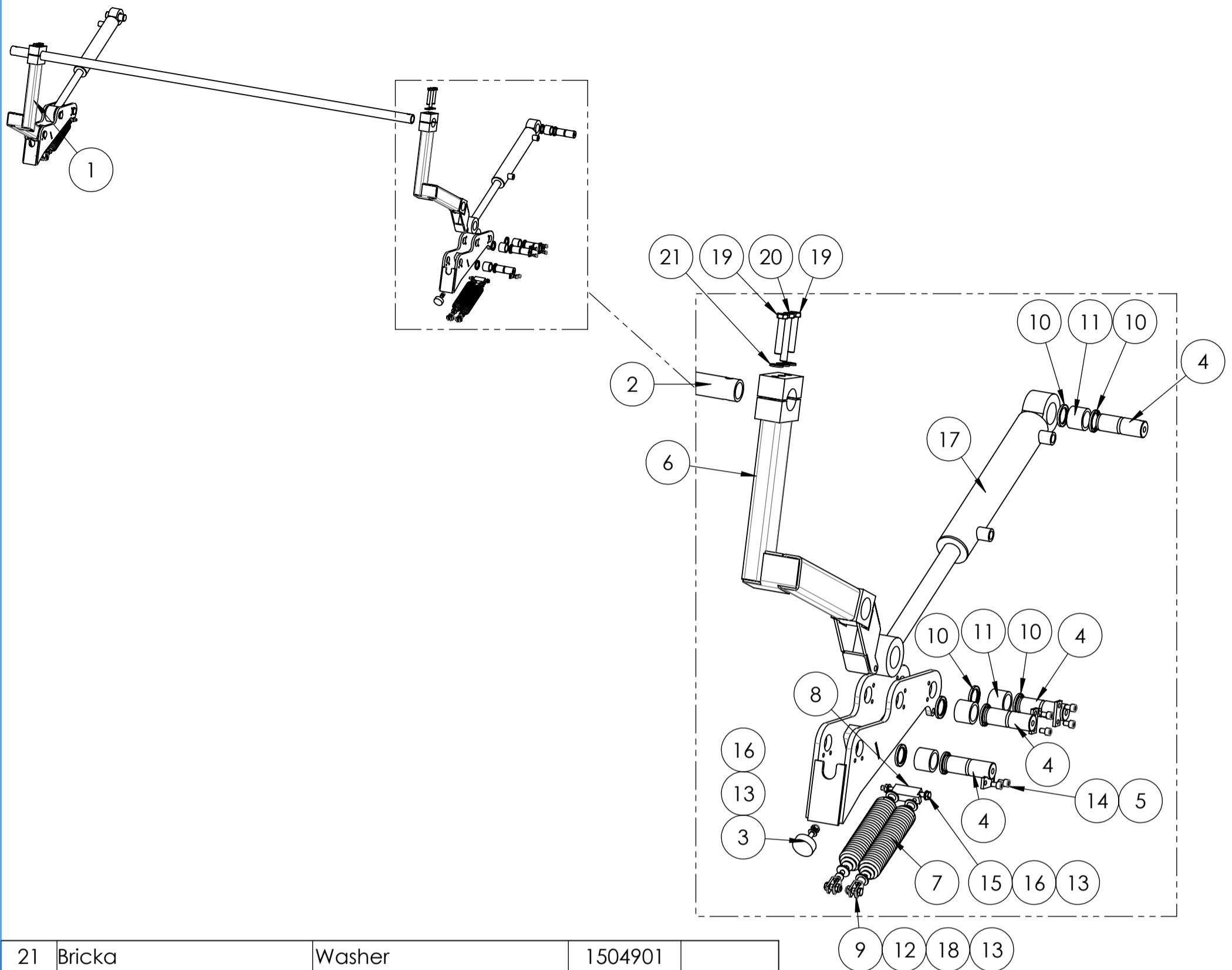
19	Bussning	Bushing	1525524	1
18	Skruv	Screw	1508833	
17	Skruv	Screw	1525523	1
16	Bricka	Washer	1504901	
15	Fjäderfäste	Spring bracket	1521256	
14	Skruv	Screw	1512953	
13	Skruv	Screw	1504922	
12	Skruv	Screw	1509719	
11	Skruv	Screw	1509720	
10	Låsmutter	Locking nut	1505255	
9	Bricka	Washer	1504899	
8	Radialtätning	Seal	1515635	
7	Bussning	Bushing	1518675	
6	Fjäder	Spring	1518705	
5	Bult	Bolt	1518676	5
4	Låsplatta	Locking plate	504335	2
3	Vibrationsdämpare	Damper	1507924	
2	Kärlfångarrör	Tube	1523752	2
1	Kärlfångararm	Bin cather Arm	1520429	4
ITEM NO.	Benämning	Title	Part no	YAP.Rev

Note! The images are for reference only. Components marked with * contact spare part branch.

Kärlfångare-Bin catcher HD L77 - L100



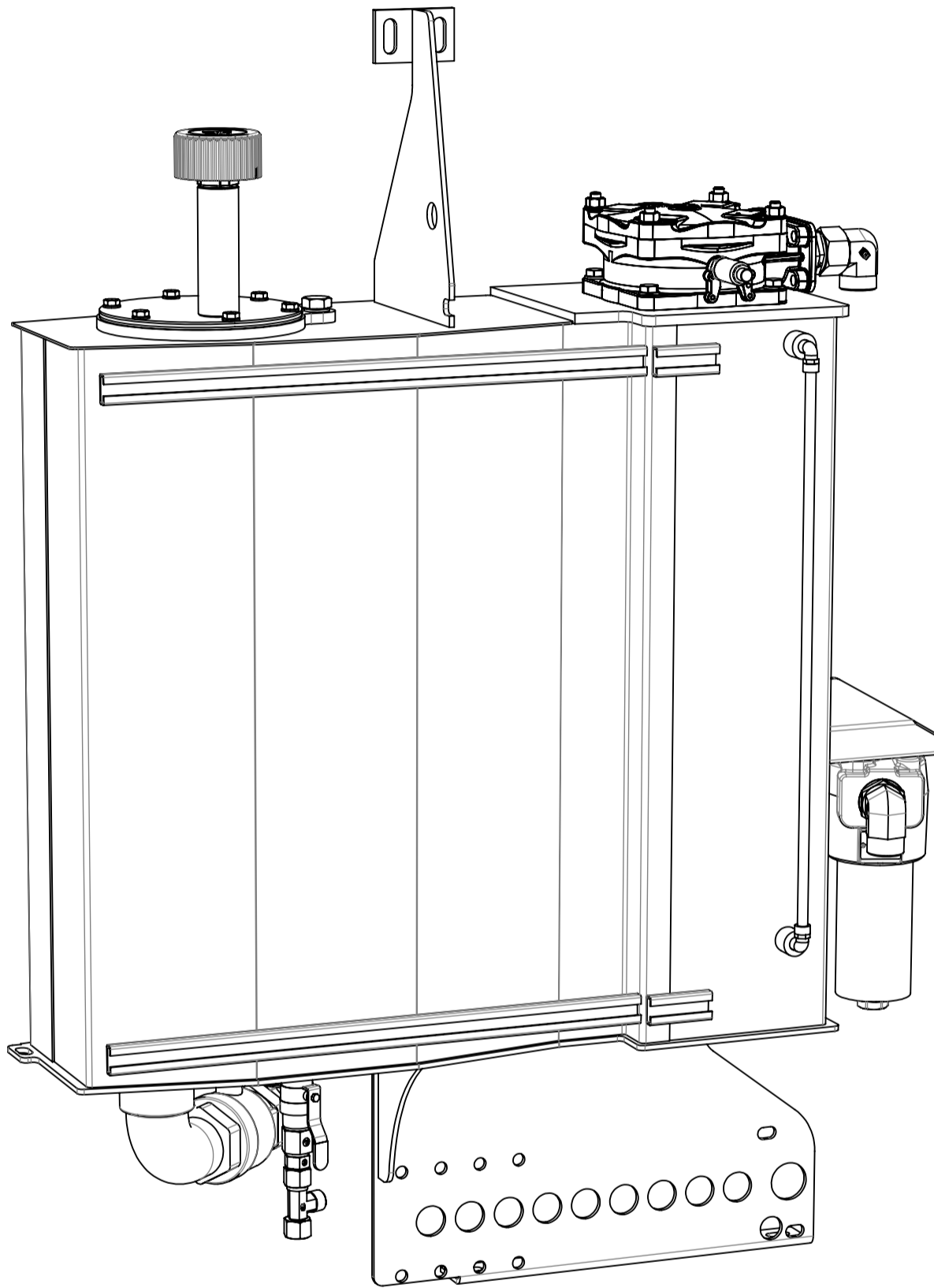
Note! The images are for reference only.
Components marked with * contact
spare part branch.



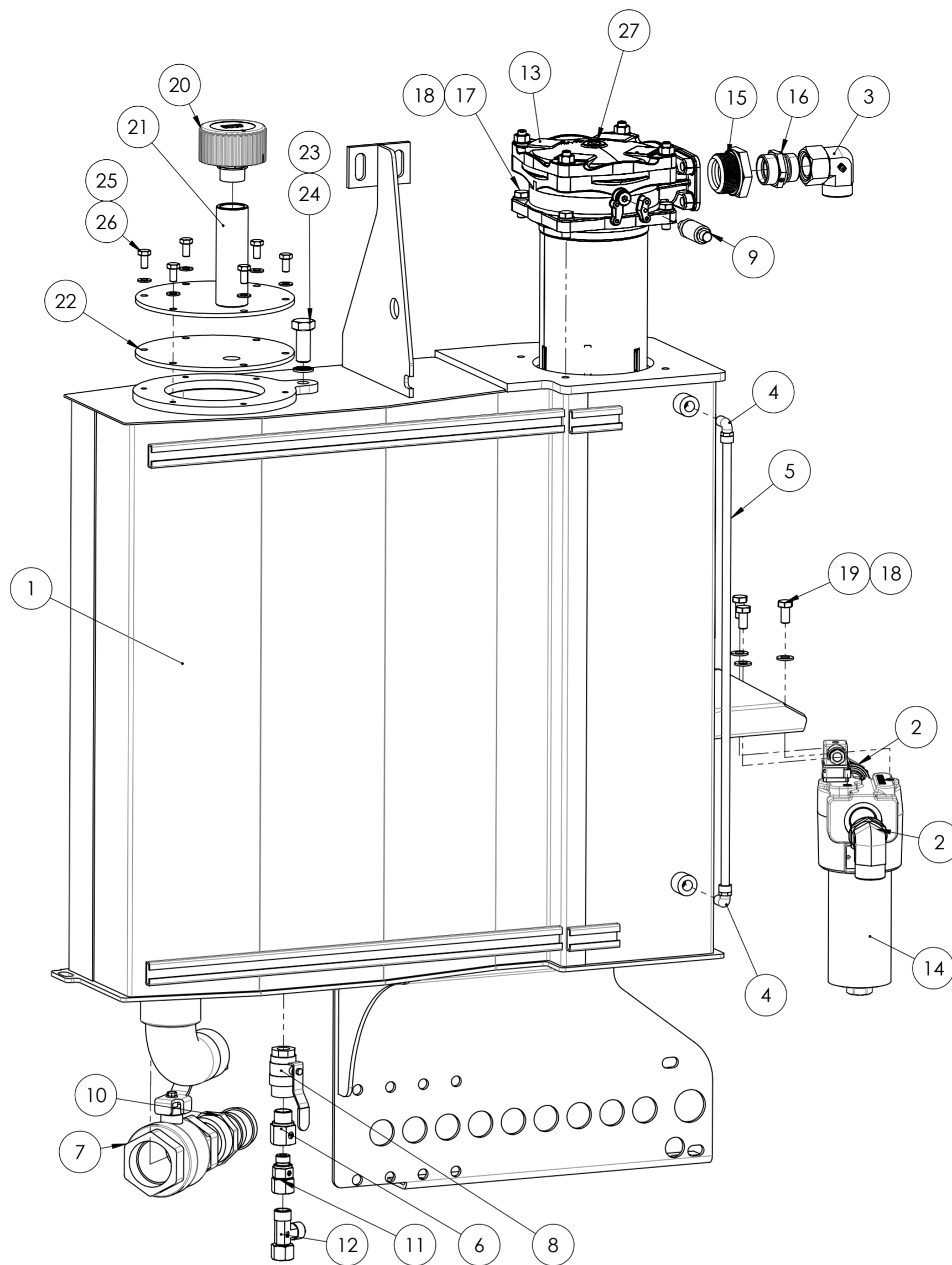
21	Bricka	Washer	1504901	
20	Skruv	Screw	1508833	
19	Skruv	Screw	1525523	1
18	Bussning	Bushing	1525524	1
17	Hydraulcylinder	Hydraulic cylinder	1518814	
16	Bricka	Washer	1504899	
15	Skruv	Screw	1506538	
14	Skruv	Screw	1512953	
13	Låsmutter	Locking nut	1505255	
12	Skruv	Screw	1504922	
11	Bussning	Bushing	1518675	
10	Radialtätning	Seal	1515635	
9	Gaffellänk	End fitting	1507830	3
8	Distans	Spacer	1518659	
7	Fjäder	Spring	1518705	
6	Kärlfångararm Hö	Bin catch arm right	1518678	2
5	Låsplatta	Locking plate	504335	2
4	Bult	Bolt	1518676	5
3	Vibrationsdämpare	Damper	1523419	1
2	Kärlfångarrör	Tube	503250	3
1	Kärlfångararm Vä	Bin catch arm left	1518668	2
ITEM NO.	Benämning	Title	Part no	YAP.Rev

Note! The images are for reference only. Components marked with * contact spare part branch.

Hydraultank MD-Hydraulic tank MD



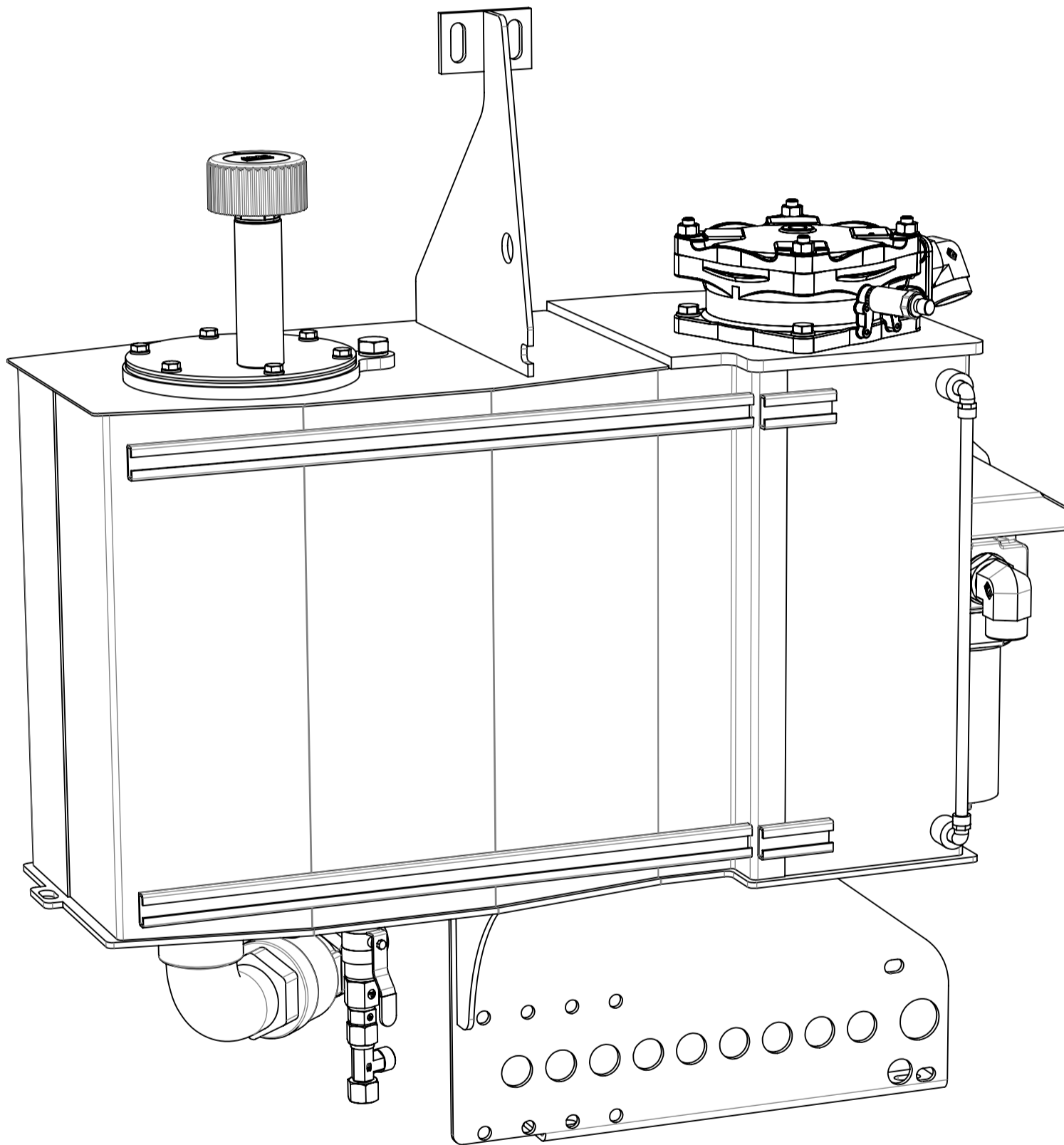
Note! The images are for reference only.
Components marked with * contact
spare part branch.



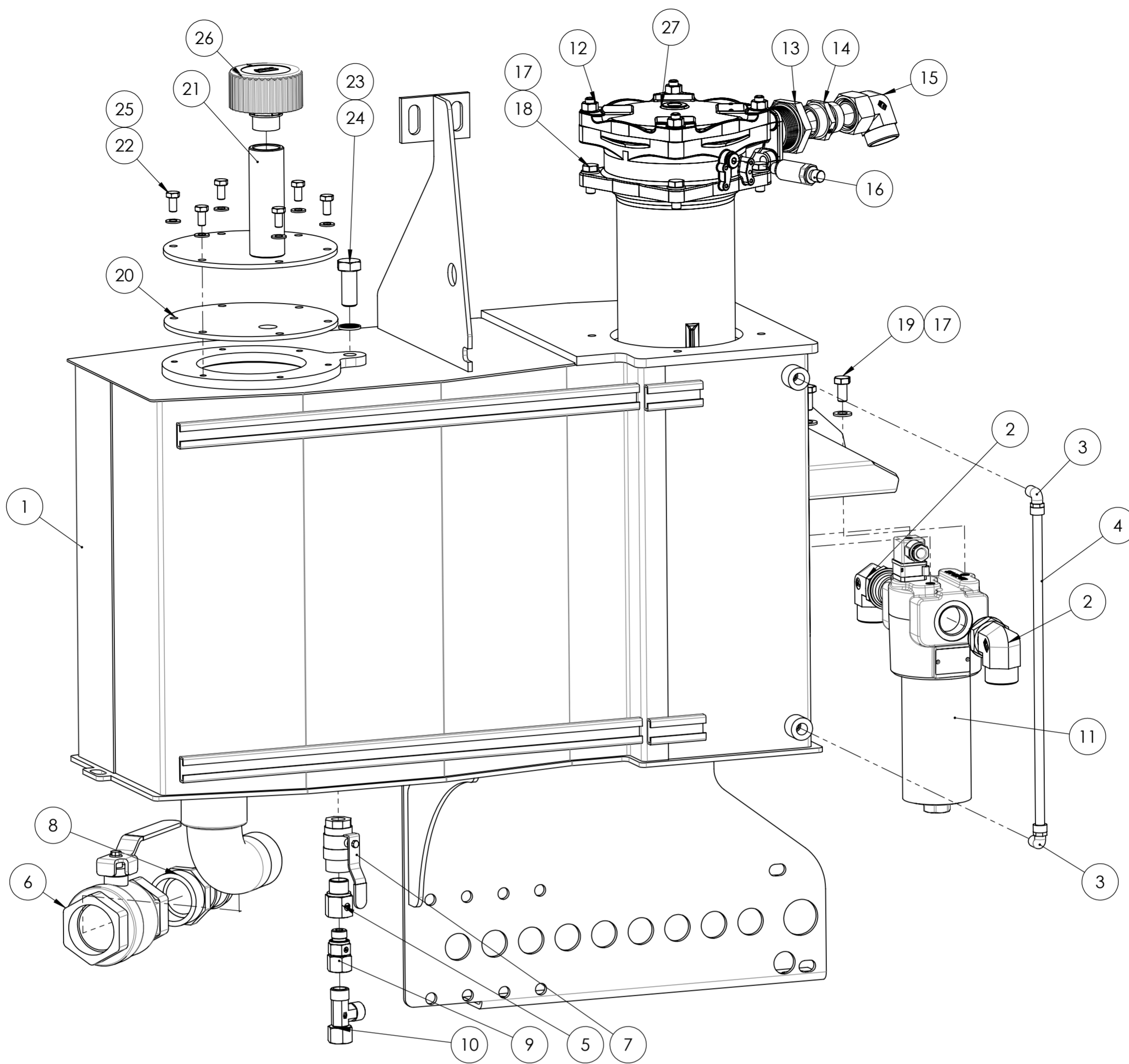
27	Filterinsats returfilter	Filter element	1519435	
26	Skruv	Screw	1506640	
25	Bricka	Washer	1504899	
24	Skruv	Screw	1515377	
23	Tredobricka	Tredo washer	1515376	
22	Packning	Gasket	1525690	2
21	Andningslock	Breather	1525689	1
20	Lufffilter	Air filter	1525403	2
19	Skruv	Screw	1507496	
18	Bricka	Washer	1504900	
17	Skruv	Screw	1506628	
16	Adapter	Adapter	1513228	
15	Adapter	Adapter	1516695	
14	Tryckfilter	Filter, pressure	1516776	2
13	Returfilter	Filter, return	1525274	1
12	Adapter	Adapter	1505758	
11	Adapter	Adapter	1507478	
10	Slangnippel	Hose nipple	1507103	
9	Tryckgivare	Pressure sensor	1517308	
8	Kulventil	Valve	1505816	
7	Kulventil	Valve	1505815	
6	Adapter	Adapter	1505811	
5	Mätrör oljenivå	Oil level tube	1519346	
4	Vinkel mätrör	Elbow	1505799	
3	Adapter	Adapter	1505769	
2	Adapter	Adapter	1504918	
1	Hydraul tank MD	Hydraulic tank MD	1525695	1
ITEM NO.	Benämning	Title	Part no	YAP.Rev

Note! The images are for reference only. Components marked with * contact spare part branch.

Hydraultank MDL-Hydraulic tank MDL



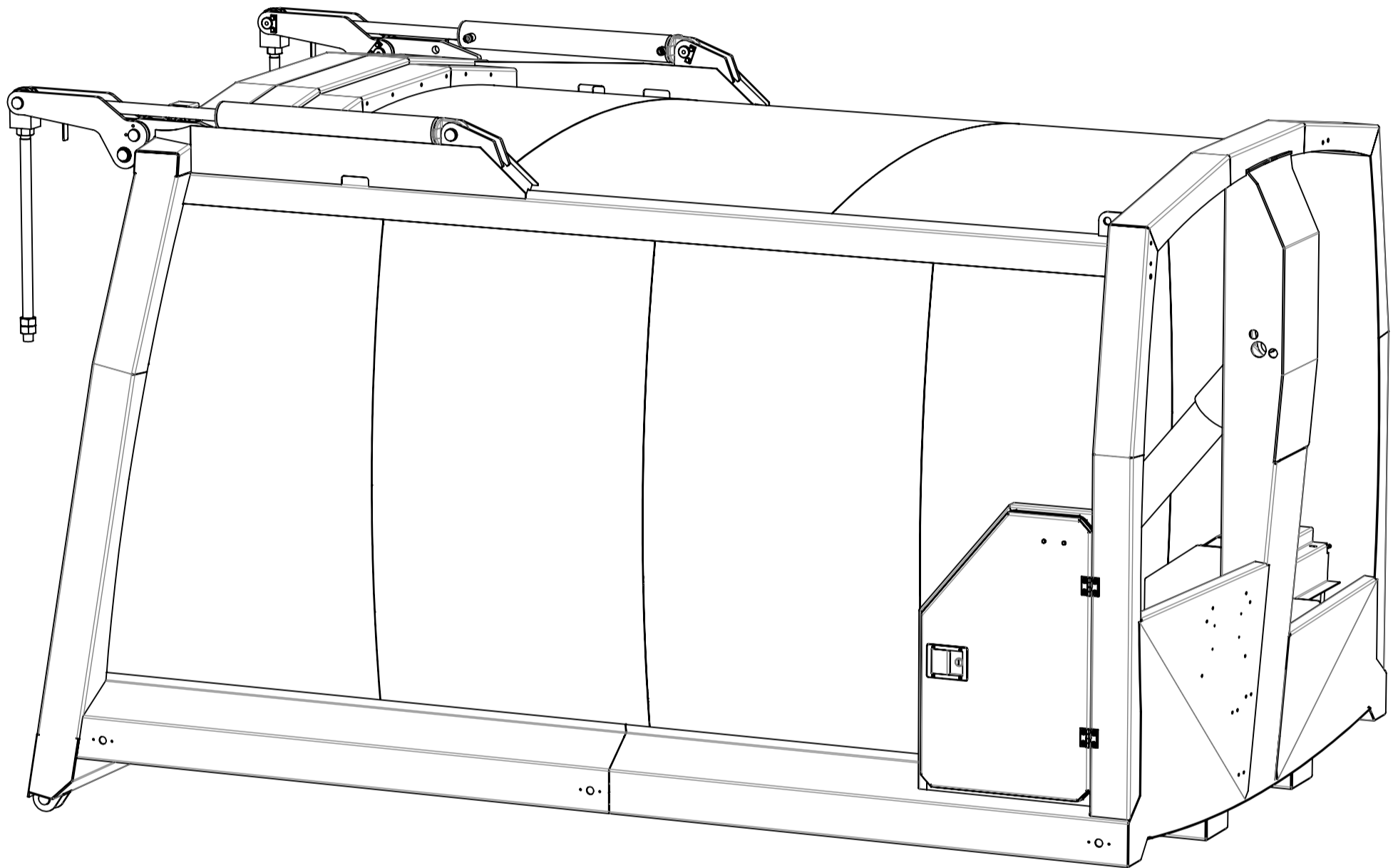
Note! The images are for reference only.
Components marked with * contact
spare part branch.



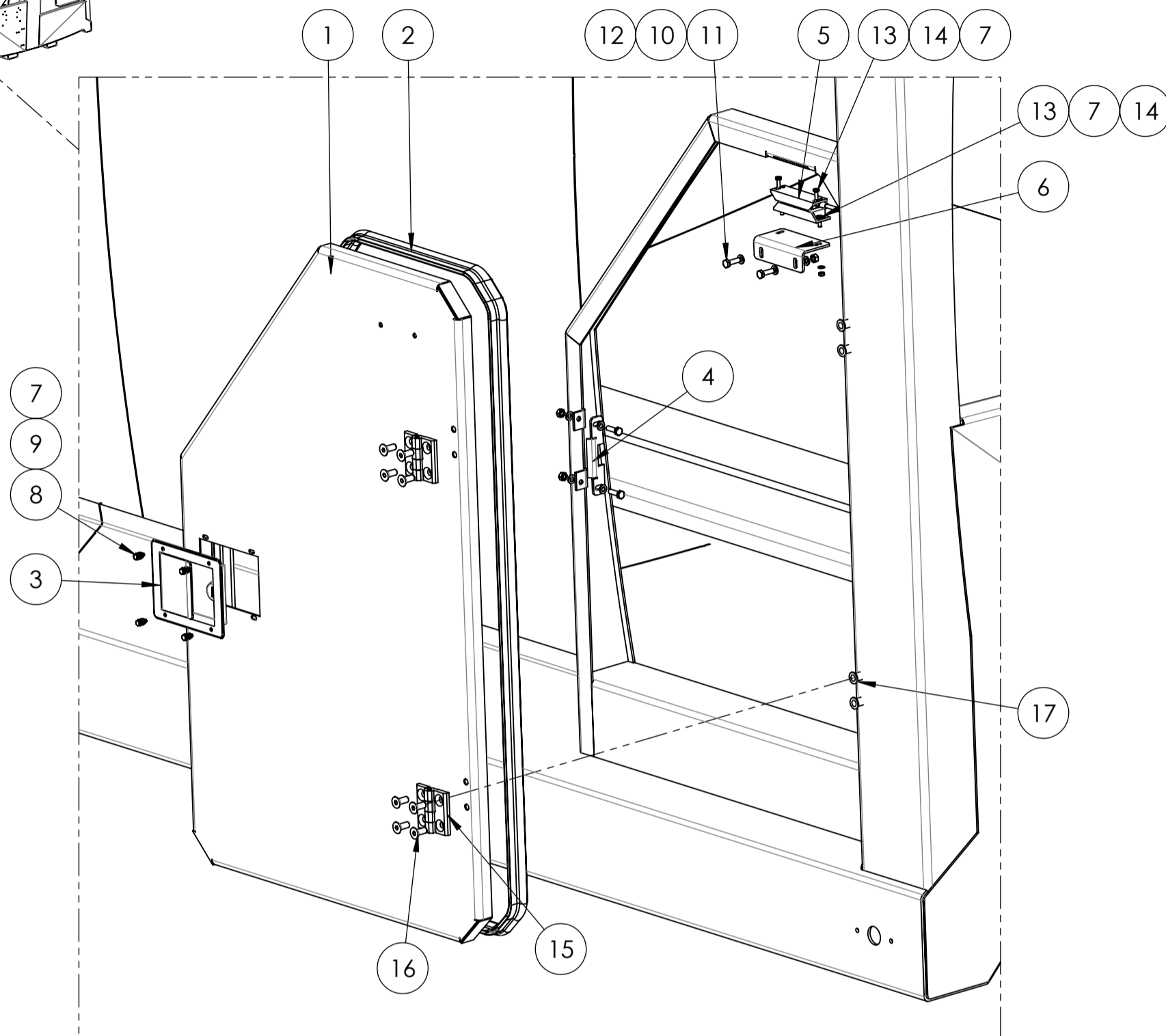
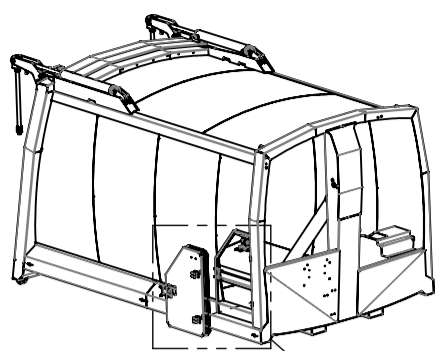
27	Filterinsats returfilter	Filter element	1519435	
26	Lufffilter	Air filter	1525403	2
25	Bricka	Washer	1504899	
24	Skruv	Screw	1515377	
23	Tredobricka	Tredo washer	1515376	
22	Skruv	Screw	1506640	
21	Andningslock	Breather	1525689	1
20	Packning	Gasket	1525690	2
19	Skruv	Screw	1507496	
18	Skruv	Screw	1506628	
17	Bricka	Washer	1504900	
16	Tryckgivare	Pressure sensor	1517308	
15	Adapter	Adapter	1505769	
14	Adapter	Adapter	1513228	
13	Adapter	Adapter	1516695	
12	Returfilter	Filter, return	1516693	
11	Tryckfilter	Filter, pressure	1516776	2
10	Adapter	Adapter	1505758	
9	Adapter	Adapter	1507478	
8	Slangnippel	Hose nipple	1507103	
7	Kulventil	Valve	1505816	
6	Kulventil	Valve	1505815	
5	Adapter	Adapter	1505811	
4	Mätrör oljenivå	Oil level tube	1519379	
3	Vinkel mätrör	Elbow	1505799	
2	Adapter	Adapter	1504918	
1	Hydraul tank MDL	Hydraulic tank MDL	1525738	2
ITEM NO.	Benämning	Title	Part no	YAP.Rev

Note! The images are for reference only. Components marked with * contact spare part branch.

Inspektionslucka HD, MD, Twin Inspection cover HD, MD, Twin



Note! The images are for reference only.
Components marked with * contact
spare part branch.



17	Blindnitmutter	Rivet nut	1504886	
16	Skruv	Screw	1505155	
15	Gångjärn	Hinge	504609	
14	Mutter	Nut	1505145	
13	Skruv	Screw	1506473	
12	Mutter	Nut	1504834	
11	Skruv	Screw	1505142	
10	Bricka	Washer	1504898	
9	Mutter	Nut	1505139	
8	Skruv	Screw	1505138	
7	Bricka	Washer	1505141	
6	Givarfäste	Sensor bracket	1505085	
5	Magnetgivare	Magnetic sensor	1504950	
4	Fäste	Bracket	1505084	
3	Klaffhandtag	Door lock	1505079	
2	Tätninglist	Rubber seal	1504847-2	
1	Inspektionsslucka	Inspection cover	1505550	
ITEM NO.	Benämning	Title	Part no	YAP.Rev

Note! The images are for reference only. Components marked with * contact spare part branch.